

1.2 mm Patch Assemblies



A Furukawa Company

Fiber Patching in High-Density Applications

Product Description

As networks use more and more optical fiber, there is a corresponding need for even smaller components. OFS 1.2 mm Patch Assemblies help provide customers with an effective means of patching in high-density applications.

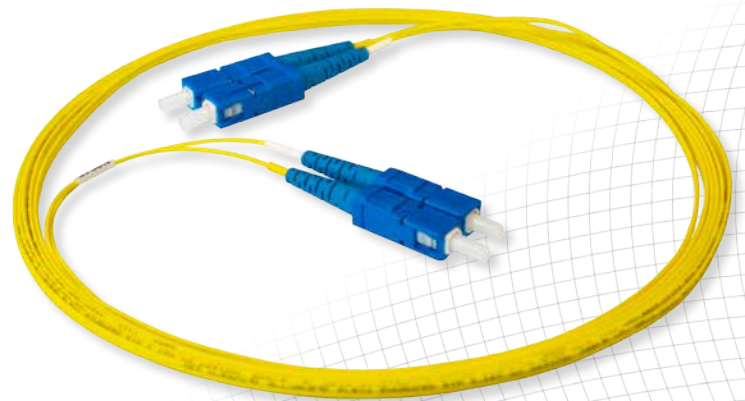
OFS offers these assemblies in a wide range of designs including LC UPC, LC APC, SC UPC and SC APC, along with duplex and simplex configurations and additional lengths upon request. Among the highest-performing assemblies in the market, the 1.2 mm Patch Assemblies provide outstanding eccentricity, end-face geometry, insertion loss and return loss.

Benefits:

- High-performance, 100% factory-tested patch cords help provide increased network security
- Space-saving cordage allows for higher density
- Duplex assemblies save even greater space

Features:

- Insertion Loss > 0.25 dB for LC UPC
- Return Loss < -65 dB for APC connector
- OFNR cable with OFS AllWave® FLEX+ ZWP Bend-Optimized Fiber (G.657.A2 Enhanced)
- RoHS compliant; free from heavy metals and environmentally friendly
- Additional lengths available on request



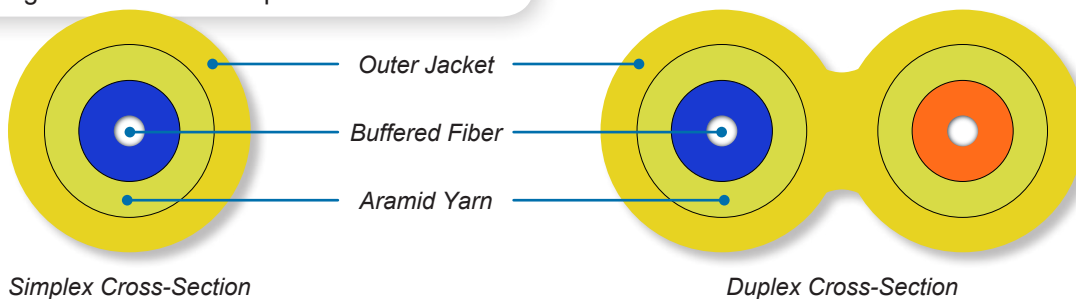
Reference Specifications:

Loss: 0.5 LC APC; 0.25 LC UPC; 0.5 SC APC; 0.3 SC UPC

Return Loss: -55 dB UPC and -65 dB APC

Cable OD: 1.2 mm

Temperature Stability: < 0.3 dB (-40° C to +70° C)



Simplex Cross-Section

Duplex Cross-Section

Ordering Information:

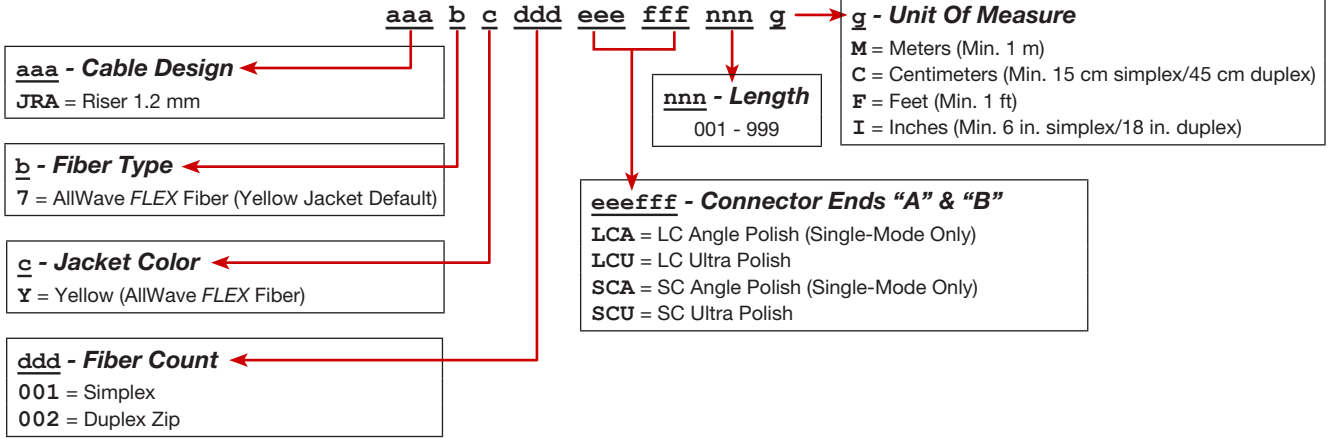
Product Code	Description
JRA7Y001LCULCU003M	1.2 mm LC UPC 3 meter simplex riser rated assembly
JRA7Y002LCULCU003M	1.2 mm LC UPC 3 meter duplex riser rated assembly
JRA7Y001LCALCA003M	1.2 mm LC APC 3 meter simplex riser rated assembly
JRA7Y002LCALCA003M	1.2 mm LC APC 3 meter duplex riser rated assembly
JRA7Y001SCUSCU003M	1.2 mm SC UPC 3 meter simplex riser rated assembly
JRA7Y002SCUSCU003M	1.2 mm SC UPC 3 meter duplex riser rated assembly
JRA7Y001SCASCA003M	1.2 mm SC APC 3 meter simplex riser rated assembly
JRA7Y002SCASCA003M	1.2 mm SC APC 3 meter duplex riser rated assembly

Ordering Information

Patchcord Assemblies SMART Coding

Examples: JRA7Y001LCULCU006M – Riser Patchcord 1.2 mm AllWave® FLEX Fiber Yellow 1 fiber (Simplex) LCU LCU 006 Meters long
 JRA7Y002SCSSCA006M – Riser Patchcord 1.2 mm AllWave FLEX Fiber Yellow 2 fibers (Zip) SCS SCA 006 Meters long

SMART Code syntax below has spaces between field sets for visibility.
 Actual SMART Code should not include any spacing.



Specifications

	Simplex	Duplex
Fiber Count:	1	2
Outer Diameter – in. (mm)	0.05 (1.2)	0.05 x 0.10 (1.2 x 2.48)
Weight – lb/kft (kgm/km)	.90 (1.34)	1.8 (2.68)
Maximum Tensile lb (N)	22 (100)	44 (200)
Flame Spread	OFNR	OFNR

Mechanical GR 409 Interconnect - All Cordages

Performance Standard

Cordage tested and listed to applicable standards including Telcordia GR-409/ICEA-S-83-596/ICEA-S-104-696/ICEA-S-115-730; TIA-568; TIA 598. Cordage UL Listed as compliant with NEC Article 770; CSA; EN 50173.

Handling

Temperature: Installation: 32 °F to 140 °F (0 °C to 60 °C)
 Operation: 32 °F to 158 °F (0 °C to 70 °C)
 Storage: -40 °F to 158 °F (-40 °C to 70 °C)

Patchcord Specifications

Connector	Insertion Loss Max. Standard Deviation	Return Loss Max	Temperature Range (° C)	Cable Retention
LCU	0.25/0.05 dB	-55 dB	-40 to 85	Cordage 20 lb Pigtailed 2 lb
LCA	0.5/0.05 dB	-65 dB	-40 to 85	Cordage 20 lb Pigtailed 2 lb
SCU	0.3/0.05 dB	-55 dB	-40 to 85	Cordage 20 lb Pigtailed 2 lb
SCA	0.3/0.05 dB	-65 dB	-40 to 85	Cordage 20 lb Pigtailed 2 lb

FOR ADDITIONAL INFORMATION PLEASE CONTACT YOUR SALES REPRESENTATIVE.

You can also visit our website at www.ofsoptics.com or call 1-888-fiberhelp (1-888-342-3743) from inside the USA or 1-770-798-5555 from outside the USA.



AllWave is a registered trademark of OFS Fitel, LLC.

OFS reserves the right to make changes to the prices and product(s) described in this document at any time without notice. This document is for informational purposes only and is not intended to modify or supplement any OFS warranties or specifications relating to any of its products or services.

Copyright © 2015 OFS Fitel, LLC. All rights reserved.

OFS
 Marketing Communications
 fap-151-0415



A Furukawa Company