

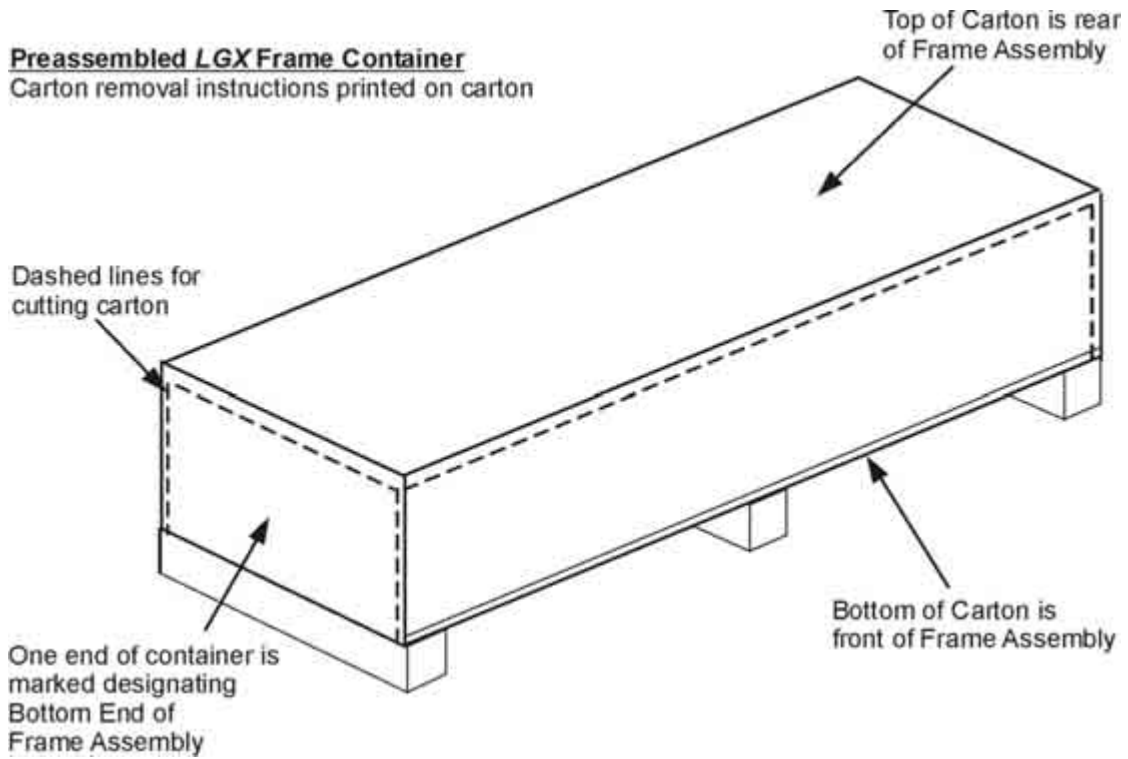
**Preassembled Frames Are Provided In The Following Combinations And Come Packaged As Shown Below**

---

<b>COMCODE</b>	<b>DESCRIPTION</b>	<b>EXAMPLE</b>
107 489 858	NETWORK BAY FRAME AND LGX GROUP 2 PARTS [12 inches (305 mm) DEEP]	Figure 1
107 382 343	NETWORK BAY FRAME, LGX GROUP 2 PARTS, AND REAR DOORS	Figure 2
107 382 327	NETWORK BAY FRAME, LGX GROUP 2 PARTS, RETAINER CAPS, AND REAR DOORS	Figure 3
107 489 866	SEISMIC BAY FRAME AND LGX GROUP 2 PARTS [12 inches (305 mm) DEEP]	Figure 1
107 382 350	SEISMIC BAY FRAME, LGX GROUP 2 PARTS, AND REAR DOORS	Figure 2
107 382 335	SEISMIC BAY FRAME, LGX GROUP 2 PARTS, RETAINER CAPS, AND REAR DOORS	Figure 3
107 856 528	NETWORK BAY FRAME AND LGX GROUP 7 PARTS [15 inches (381 mm) DEEP]	Figures 4,5
107 910 044	NETWORK BAY FRAME, LGX GROUP 7 PARTS, AND REAR DOORS	Figure 6
107 887 507	NETWORK BAY FRAME, LGX GROUP 7 PARTS, FILLER PANELS, AND REAR DOORS (MBOS MODEL NO.14)	Figure 7
107 872 616	SEISMIC BAY FRAME AND LGX GROUP 7 PARTS [15 inches (381 mm) DEEP]	Figures 4,5
107 910 051	SEISMIC BAY FRAME, LGX GROUP 7 PARTS, AND REAR DOORS	Figure 6
107 887 499	SEISMIC BAY FRAME, LGX GROUP 7 PARTS, FILLER PANELS, AND REAR DOORS (MBOS MODEL NO. 2)	Figure 7




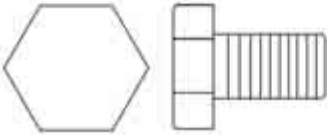
**Preassembled LGX Frame Container**

Carton removal instructions printed on carton



## Identification Template For Preassembled Lgx Frame Fastening Hardware

(See pages 4 through 8 for installation of the hardware and loose parts)

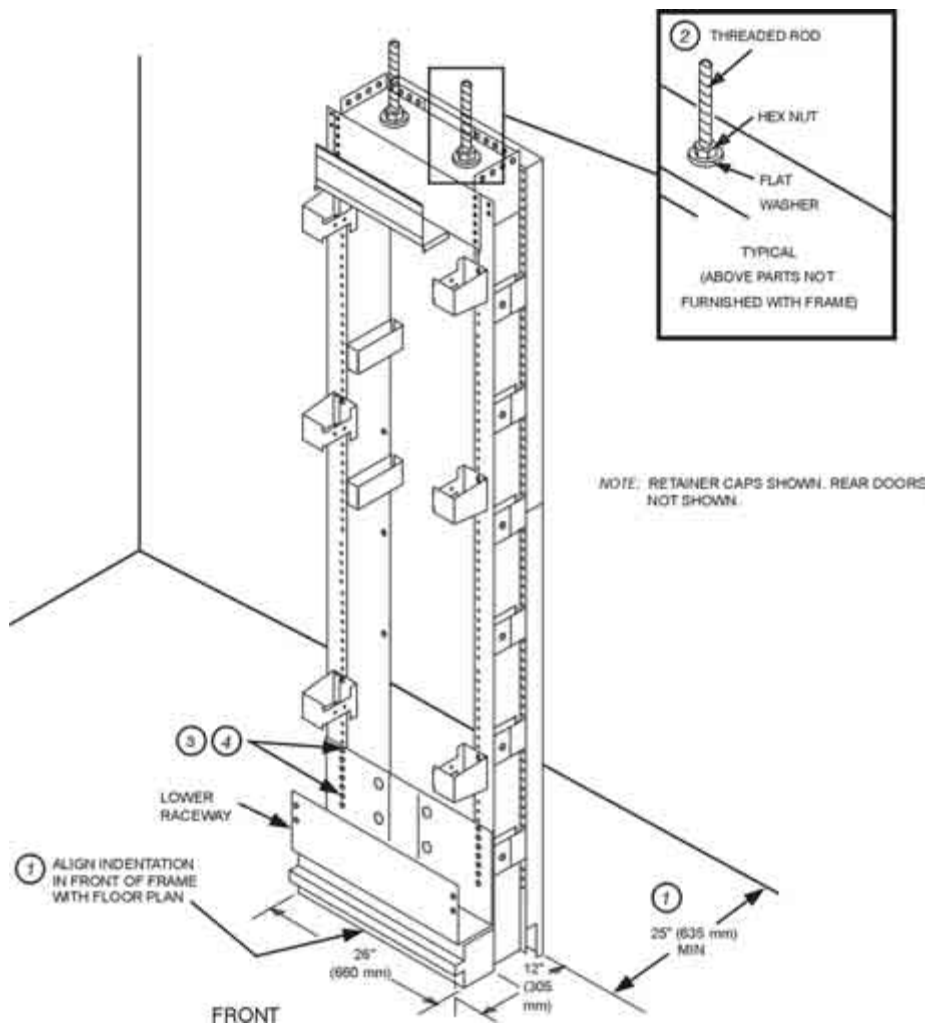
FASTENER DESCRIPTION	FOR GROUP 2 FRAMES	FOR GROUP 7 FRAMES
12-24 X 3/8 SCREW* (4) 	JUMPER SUPPORT (2 SCREWS PER FRAME)	JUMPER SUPPORT (2 SCREWS PER FRAME)
10-24 X 3/8 SCREW* (4/4) 	JUNCTION PLATE/LOWER RACEWAY (2 SCREWS PER RACEWAY)	JUNCTION PLATE/LOWER RACEWAY (2 SCREWS PER RACEWAY)
10-24 ACORN NUT (4/4) 	JUNCTION PLATE/LOWER RACEWAY (2 NUTS PER RACEWAY)	JUNCTION PLATE/LOWER RACEWAY (2 NUTS PER RACEWAY)
3/8 - 16 X 5/8 SCREW (1/1) 	FOR USE WITH SPACER	FOR USE WITH SPACER

\* Universal/Combination Pan Head

In addition to the above, the following loose parts are included with the preassembled Lgx distributing frames:

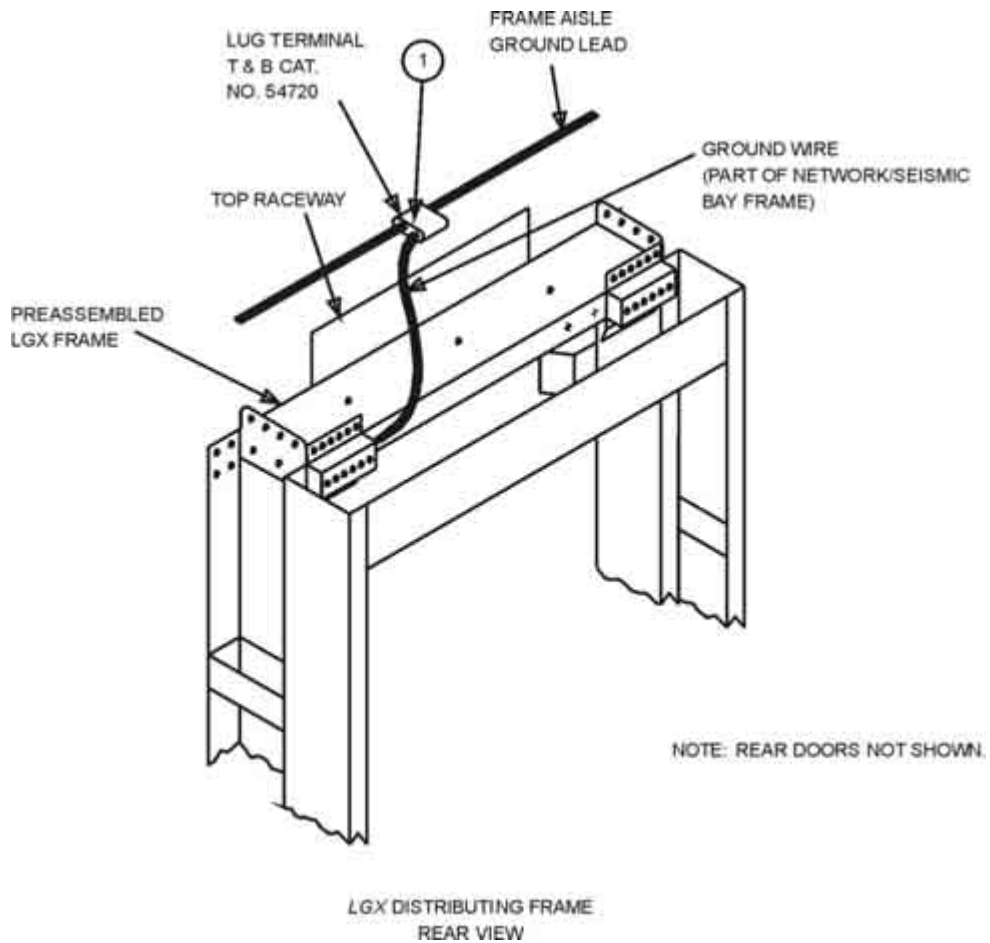
- JUMPER SUPPORT (1)
- JUMPER RETAINER LABELS (18)
- JUMPER RETAINER EXTENSIONS (9)
- JUMPER PLATES (3)
- SPACER
- MISCELLANEOUS FRAME PARTS:
- RECTANGULAR HOLD DOWN PLATES (2)
- SQUARE HOLD DOWN WASHERS (4)
- COPPER LUG, NO. 54720 (THOMAS & BETTS CO.)
- 8-32 x 1/8 HEX NUTS (2)
- 12-24 x 1/4 PAN HEAD SCREWS (16)
- INSTRUCTION SHEETS:
- 636-299-104-1 CC NO. 845866367 "LGX DISTRIBUTING FRAME INSTALLATION"
- 636-299-104-2 CC NO. 845866375 "DUCT DOOR INSTALLATION"
- 636-299-104-4 CC NO. 845866391 "LGX DISTRIBUTING FRAME CABLING"
- 636-299-104-6 CC NO. 847527744 "PREASSEMBLED LGX DF INSTALLATION"

## STEP 1 — INSTALL PREASSEMBLED LGX DISTRIBUTING FRAME



1. Position front of frame toward maintenance aisle. A minimum of 25 inches (635 mm) of clearance from wall or lineup is recommended at rear of frame. If FEX1A-FB Rear Bracket Extension or the Group 7 option is to be installed, 28 inches (711 mm) of clearance is recommended for the 15-inch (381 mm) deep frame.
2. Secure frame to overhead framing with locally obtained hardware in accordance with local practices.
3. Remove (4) screws and lower raceway from preassembled frame to permit installation to floor. Secure frame to floor using techniques described in ED-8C505-50 or ED-8C805-50 (seismic). Ground frame per ED-8C508-50 or ED-8C800-70 (seismic).
4. Once frame is secured to floor, replace lower raceway using (4) screws previously removed.

## STEP 2 — INSTALL FRAME GROUND WIRE

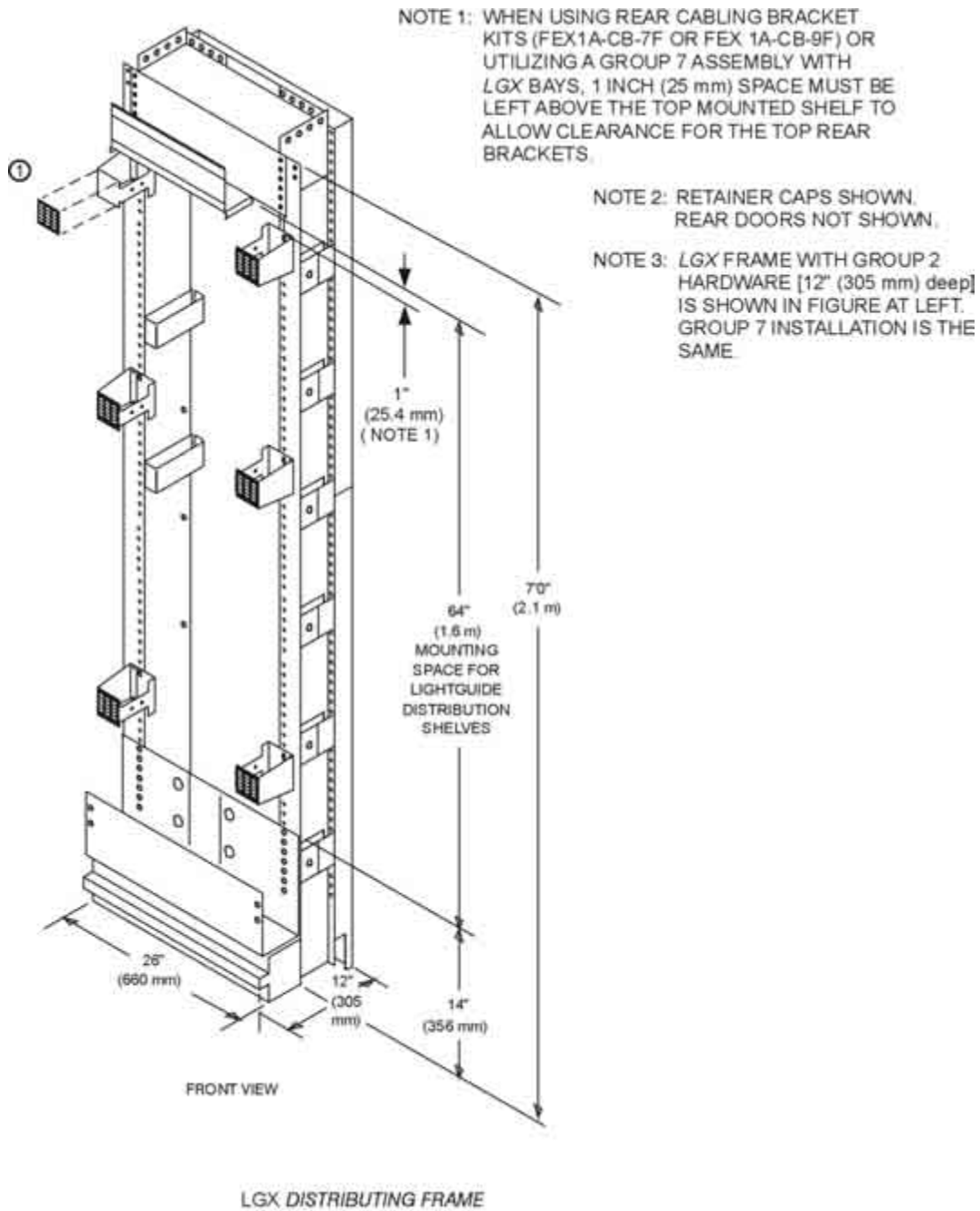


1. Connect frame ground wire assembly to frame aisle ground lead per local practice.

### ⇒ NOTE:

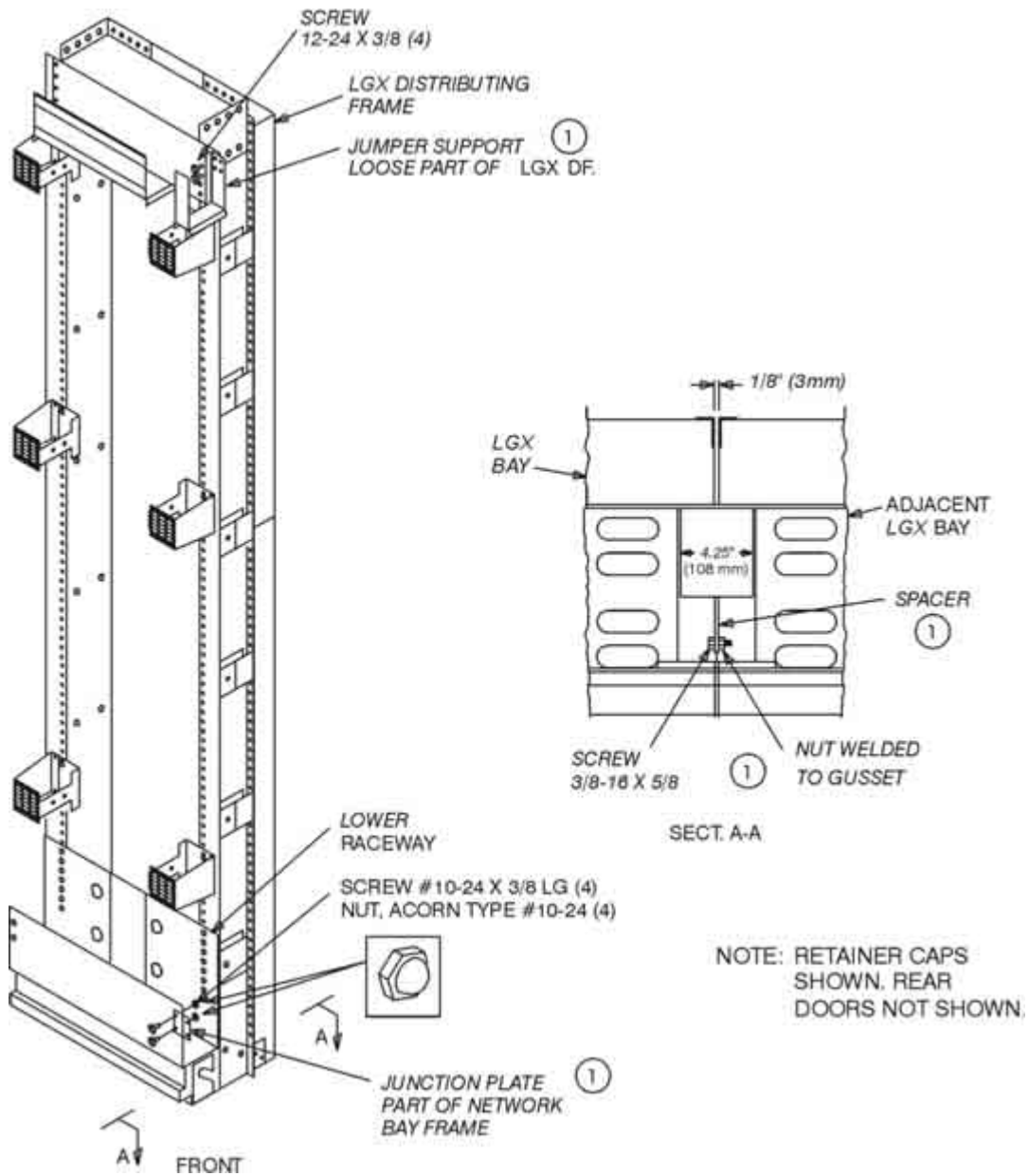
Note: Where outside plant cable ground lugs are attached to frame, surface paint must be removed.

### Step 3 — Installed Preassembled Lgx Distributing Frame Ready For Installation Of Jumper Retainer Labels And Shelves.



1. Remove backing from jumper retainer labels; align and attach one to each jumper retainer.

**Step 4 — Secure Adjacent Lgx Distributing Frames**



1. Attached spacer and junction plate at bottom of bay and jumper support at top.

Figure 1—Preassembled Lgx Distributing Frame E/W Group 2 Parts [12" (305 Mm) Deep]

Figure 2—Preassembled Lgx Distributing Frame E/W Group 2 Parts And Rear Doors

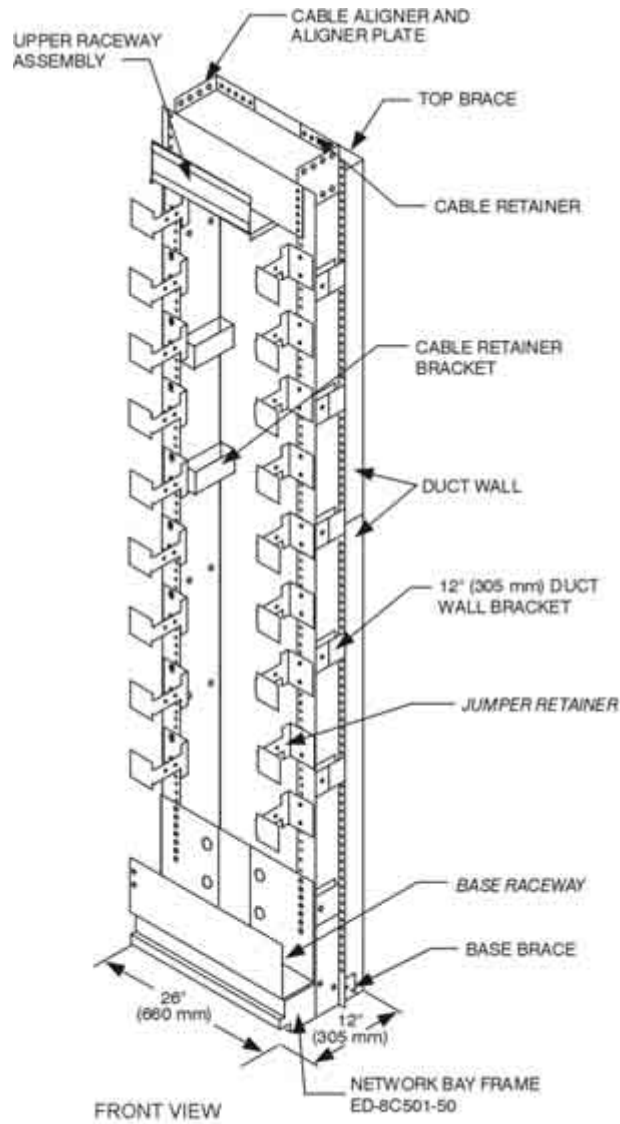


FIGURE 1

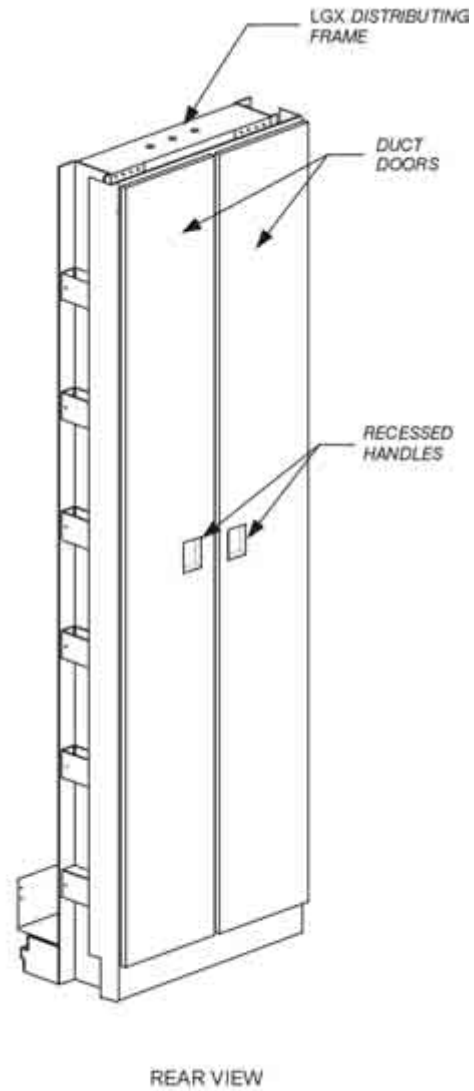


FIGURE 2



Figure 3—Preassembled Lgx Distributing Frame E/W Group 2 Parts, Retainer Caps, And Rear Doors

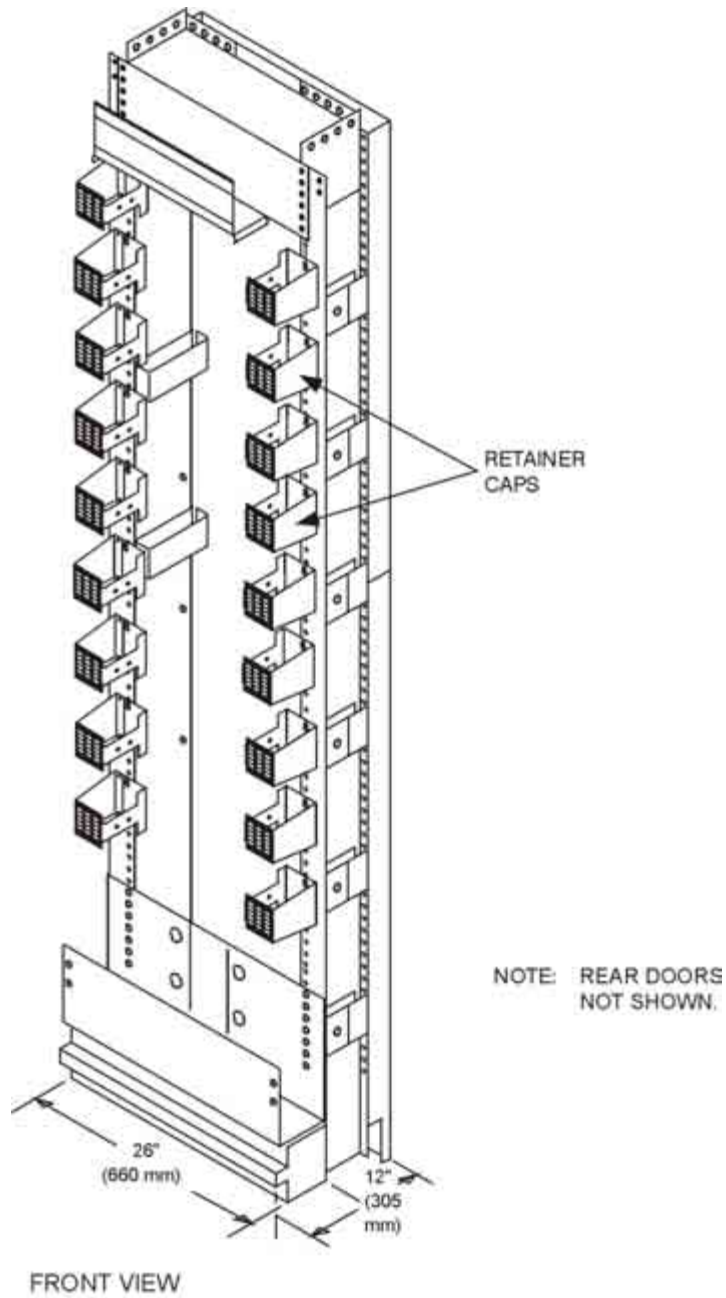
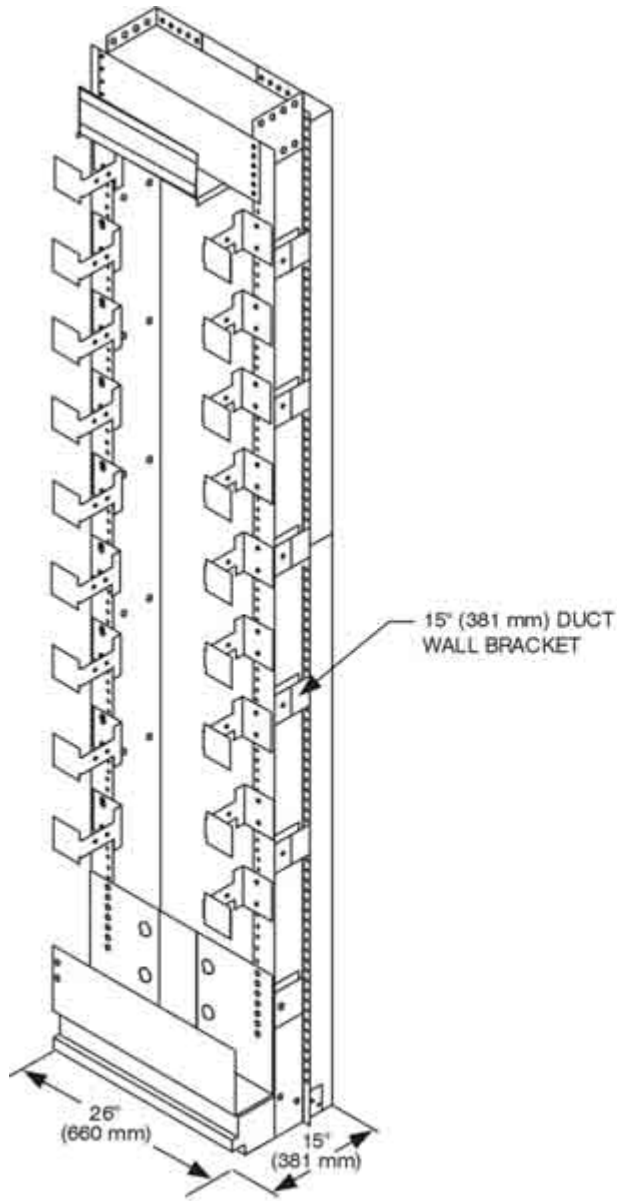


FIGURE 3

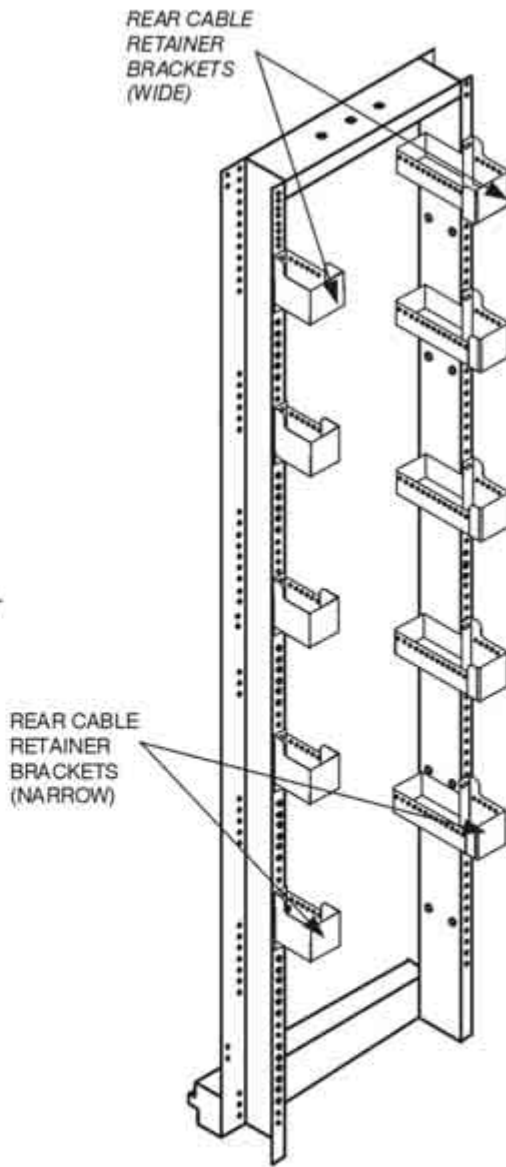
Figure 4—Preassembled Lgx Distributing Frame E/W Group 7 Parts [15" (381 Mm) Deep]

Figure 5—Rear View Of Group 7 Lgx Frame Showing Cable Retainer Brackets



FRONT VIEW

FIGURE 4



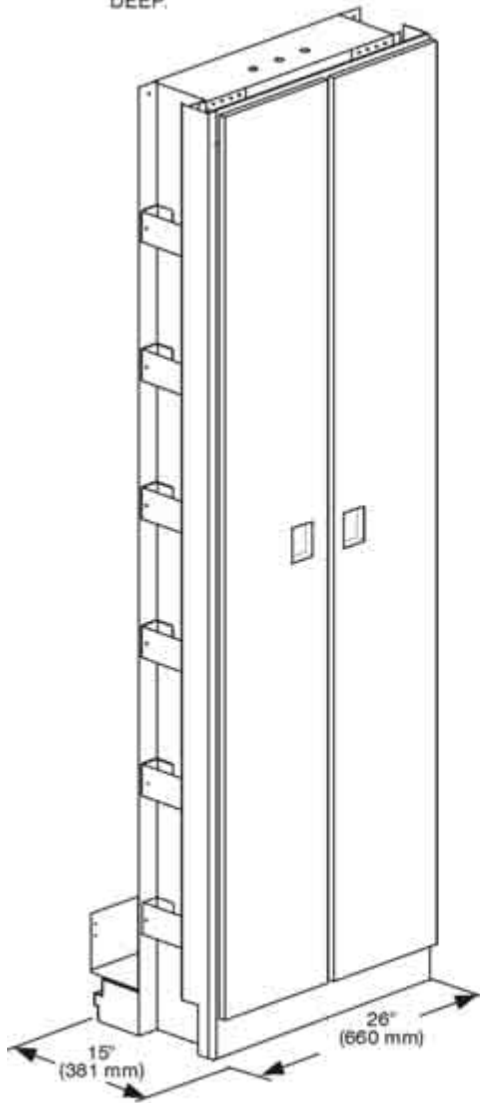
REAR VIEW

FIGURE 5

Figure 6—Preassembled Lgx Distributing Frame E/W Group 7 Parts And Rear Doors

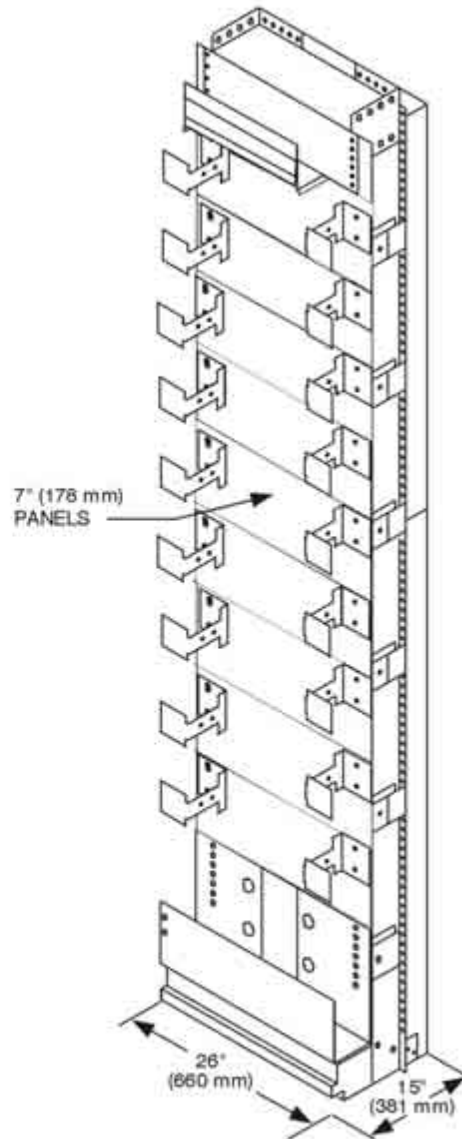
Figure 7—Preassembled Lgx Distributing Frame E/W Group 7 Parts, Filler Panels, And Rear Doors

NOTE: THE CABINET SHOWN IN THIS FIGURE IS 15 INCHES (381 mm) DEEP.



REAR VIEW

FIGURE 6



FRONT VIEW

FIGURE 7