

# LGX<sup>®</sup> Fiber Optic Shelves (Termination)



A Furukawa Company

## High-Density Frame Mount Fiber Access Units

### Product Description

The OFS LGX<sup>®</sup> Fiber Management Termination Shelves, regarded as the original fiber frame solution, are used to complete existing 19" or 23" fiber frame installations. Available in 7" and 9" high versions, the LGX termination shelves can be combined to create "design specific" solutions and meet your application needs. They can also hold many of the standard industry adapter types like the LC, SC, ST, and FC.

#### Attributes:

- Dimensions; weight:
  - **7" Shelf:** 17" W x 11.5" D x 7" H;  
5 lbs empty weight/9 lbs shipping weight
  - **9" Shelf:** 17" W x 11.5" D x 9" H;  
9 lbs empty weight/13 lbs shipping weight
- Aluminum alloy sheet 0.09" [2.28 mm] thick
- Powder coated paint
- Common key locks available

#### Features & Benefits:

- Indoor fiber management
- Mount in 19" or 23" frame installations
- Universal frame/wall mount brackets included
- Fiber management rings included
- Front and rear door access
- Front access shelves are available in 7" and 9" shelves
- Key lock door available
- Fiber jumper management
- Splitter management capable
- WDM management capable
- 7" Shelves use 1000 series panels
- 9" Shelves use 1200 series panels
- White and black color options on all shelves



7" Front Access Shelf



7" Termination Shelf



7" Termination Shelf shown equipped with adapters. Shelves are sold with and without adapters (See ordering guide).

### Value

The LGX Shelf System is a versatile system of optical cable management boxes, which can be configured in many ways. Load these units with terminated cables or combine shelves with splice units. Mix and match adapter panels to configure your shelves with LC, SC, and ST type adapters. Contact OFS to help with pre-assembled configurations which speed installation time.

### Rely on OFS

No one has more experience in making complex fiber networks simple, cost effective, and easy to manage. Our versatile fiber management products will help simplify the work you do, saving time and money.

## Ordering Information

### LGX FO Termination Shelf Ordering Information\*

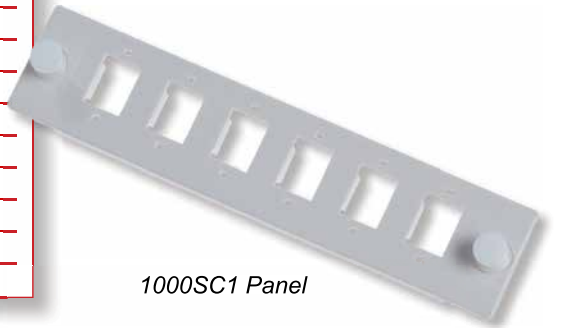
Empty Termination Shelves	Comcode	Shelf Height (inches)		
LST1F-07-WHT SHELF	106191695	7		
LST1F-09-WHT SHELF	300429636	9		
LST1U-07-BLK SHELF	109182303	7		
LST1U-07-WHT SHELF	105335871	7		
LST1U-09- BLK SHELF	108875998	9		
LST1U-09-WHT SHELF	107535569	9		
Termination Shelves Equipped with Panels and/or Adapters	Comcode	Shelf Height (inches)	Adapter Type Installed	Adapter Count
LST1F-072-07- WHT-LCU/LCA (60/12)	300570751	7	LCU (60) LCA (12)	72
LST1U-036-07- WHT-C3000A-2 ST (SM)	300585569	7	ST SM C3000A-2	36
LST1U-072-07- WHT-12-1000ST1	107075160	7	only panels	72
LST1U-072-07- WHT-C2000A-2 ST (MM)	107640609	7	ST MM C2000A-2	72
LST1U-072-07- WHT-C3000A-2 ST (SM)	107525131	7	ST SM C3000A-2	72
LST1U-072-07- WHT-FC ADPTRS (SM/MM)	300536091	7	FC SM/MM	72
LST1U-072-07- WHT-LC SIMPLEX ADPTRS (SM)	109062059	7	LC SM Simplex C1101A-1	72
LST1U-072-07- WHT-SC (SM)	106500614	7	SC SM C6000A-4	72
LST1U-072-07- WHT-SC Pnl Recessed (panel is bent to give front door relief when using attenuators)	300414224	7	SC SM C6000A-4	72
LST1U-072-07- WHT-SCA C-6800A-4	301015970	7	SCA C6800A-4	72
LST1U-072-07- WHT-ST SM A3072	301015111	7	ST SM A3072 UMA	72
LST1U-096-07 WHT-SC (MM)	300560117	7	SC MM C6001A-4	96
LST1U-096-07- WHT-C2000 ST (MM)	107933251	7	ST MM C2000A-2	96
LST1U-096-07- WHT-C3000A-2 ST (SM)	300573722	7	ST SM C3000A-2	96
LST1U-096-07- WHT-SC (SM)	109136119	7	SC SM C6000A-4	96
LST1U-096-07- WHT-SCA C-6800A-4	300498896	7	SCA C6800A-4	96
LST1U-144-09-BLK-SCA ADPTRS (SM)	301014916	9	SCA C6800A-4	144
LST1U-144-09- WHT-LC SM SMLPX ADPTRS	109086090	9	LC SM Simplex C1101A-1	144
LST1U-144-09- WHT-SC (SM)	107871337	9	SC SM C6000A-4	144
LST1U-144-09- WHT-SCA ADPTRS (SM)	300580396	9	SCA C6800A-4	144
LST1U-144-09- WHT-ST ADPTRS (MM)	108363813	9	ST MM A2000A-2	144
LST1U-144-09- WHT-ST ADPTRS (SM)	108363722	9	ST SM A3000A-2	144
LST2U-048-07- WHT-SC A3063	300411469	7	SCU A3063 UMA	48
LST2U-072-07 WHT-SC/FC A3083	300584778	7	SC/FC A3083 UMA	72
LST2U-072-07- WHT-72-A3002 (ST BASE)	108632019	7	ST Base only	72
LST2U-072-07- WHT-72-A3003 (SC BASE)	109106153	7	SC Base only	72
LST2U-072-07- WHT-ST/SC A3062	301006078	7	ST/SC SM A3062 UMA	72
LST4U-072-07- WHT-36-LC LP DPLX ADPTRS (SM)	301006672	7	LC SM Duplex C1104A-2	72
LST4U-108-07- WHT-LC MM C1004B-2	301006623	9	LC MM C1004B-2	108
LST4U-144-07- WHT-LC SM DPLX ADPTRS	301006680	9	LC SM Duplex C1104A-2	144
LST4U-192-07- WHT-LC MM C1004A-2	301009684	9	LC MM C1004B-2	192
LST4U-288-07-BLK LC DPLX	301012399	9	LC SM Duplex	288
LST5U-072-07-BLK-MMC6SC AQUA	109171520	7	SC MM C6MMSC-LW	72
LST5U-072-07-BLK-MMC6ST AQUA	109171538	7	ST MM C6MMST-LW	72
LST5U-144-07-BLK-MMC12LC AQUA	109171512	9	LC MM C12MMLC-LW	144

\* **LSTIU** Standard Patch Panel which allows jumpers in the front and cable entry in the rear

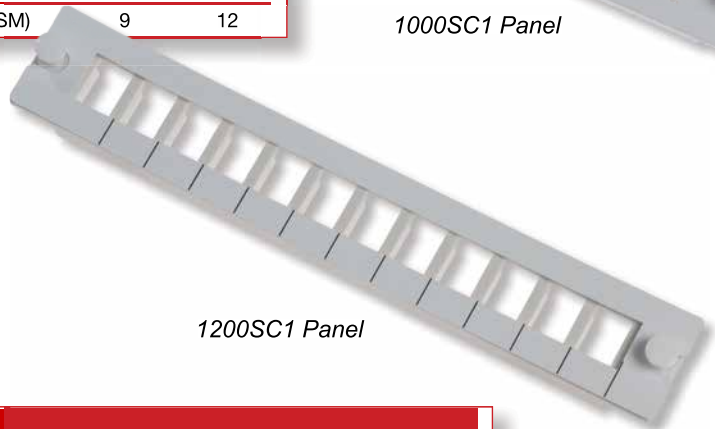
**LSTIF** Front Access Shelf where the panel folds out to provide access to the front

## Panel Ordering Information

Description	Comcode	Adapter Type	Shelf Size (in.)	Ports/ Panel
1000FC1-6 E/W ADAPTERS	106225923	FC (SM/MM)	7	6
1000LC-6 E/W SMPLEX (SM)	300398435	LC	7	6
1000LCA-6 E/W SMPLEX (SM)	300398443	LCA	7	6
1000SC1-8 E/W SC (SM)	107187650	SC	7	8
1000SC1-6 E/W SC (SM)	106500630	SC	7	6
1000SC1-6 E/W SC SM OFF CENTER	300410420	SC (A3063)	7	6
1000SCA-6 E/W (A3863)	300407137	SCA (A3863)	7	6
1000ST1-6 E/W ST (SM)	106500622	ST (SM)	7	6
1000ST1-8 E/W ST (SM)	107187643	ST (SM)	7	8
PNL 7" EW SM/C12LC BLUE	109171785	LC Ganged	7	12
PNL 7" EW SM/C6SC BLUE	109171793	SC Ganged	7	6
PNL 7" EW SM/C6ST BLUE	109171801	ST Ganged	7	6
1200SC1-12 E/W SC (SM)	107719049	SC	9	12
1200ST1-12 E/W ST (SM)	107723439	ST (SM)	9	12



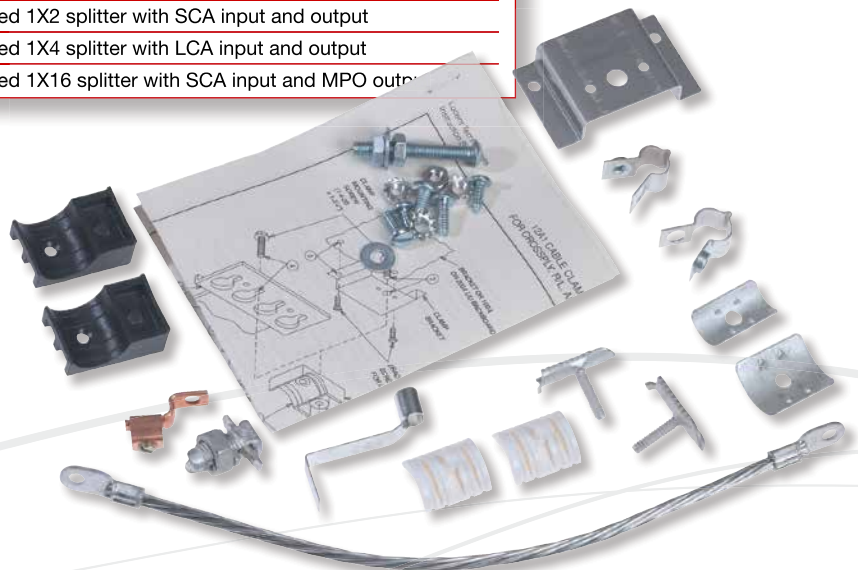
1000SC1 Panel



1200SC1 Panel

## Accessories for Termination shelf

Product Code	Comcode	Description
12A1 Clamp	104384490	Metallic Sheath Cable Clamp
12A2 Clamp	106230337	Dielectric Sheath Cable Clamp
12A1 Clamp w/o strap	301006888	Metallic Sheath Cable Clamp without the ground strap
12A3L Clamp	108527433	Metallic and Dielectric Cables .25" to 1.5" up to 864 Cable OFS
S1-1X2-1315-SCA-S-BAL-F	300387610	Balanced 1X2 splitter with SCA input and output
S1-1X4-1315-LCA-S-BAL-F	300387214	Balanced 1X4 splitter with LCA input and output
S1-1X16-FULL-MPO/SCA-S-BAL-F	300574191	Balanced 1X16 splitter with SCA input and MPO output



12A1 Cable Clamp  
(104384490)

**FOR ADDITIONAL INFORMATION PLEASE CONTACT YOUR SALES REPRESENTATIVE.**

You can also visit our website at [www.ofsoptics.com](http://www.ofsoptics.com) or call 1-888-fiberhelp (1-888-342-3743) from inside the USA or 1-770-798-5555 from outside the USA.



AccuRibbon, AllWave, and LGX are registered trademarks of OFS Fitel, LLC.

OFS reserves the right to make changes to the prices and product(s) described in this document at any time without notice. This document is for informational purposes only and is not intended to modify or supplement any OFS warranties or specifications relating to any of its products or services.

Copyright © 2013 OFS Fitel, LLC.  
All rights reserved.

OFS  
Marketing Communications  
fap-214-0513



*A Furukawa Company*