

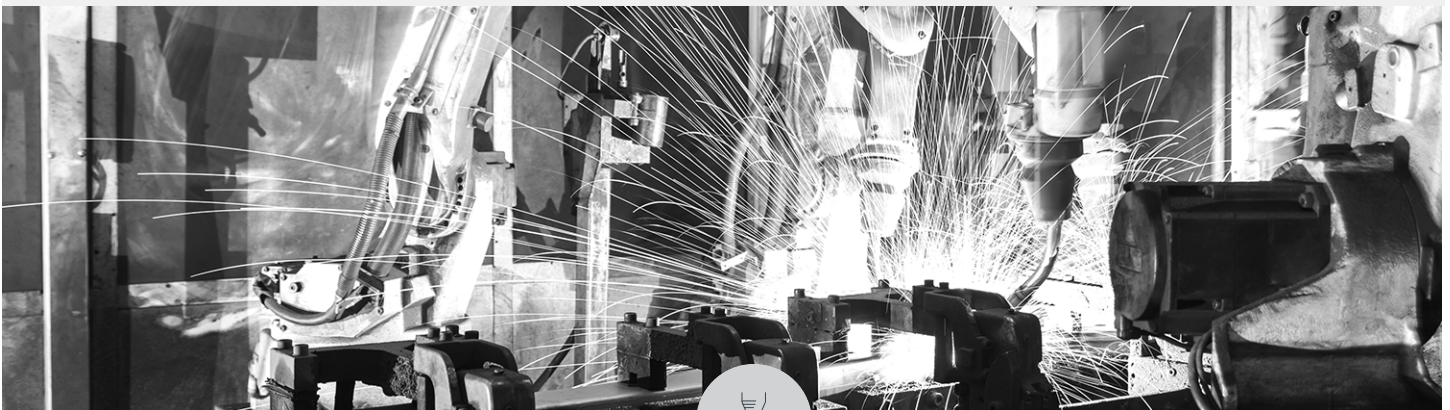
Fiber Laser Building Blocks

RAMAN FIBER LASER MODULE

Applications:

High brightness fiber laser pumping and frequency conversion

- Wavelength flexibility from 1 to 1.6 μm
- High output power, up to 100W at 1480nm
- Single-mode fiber output



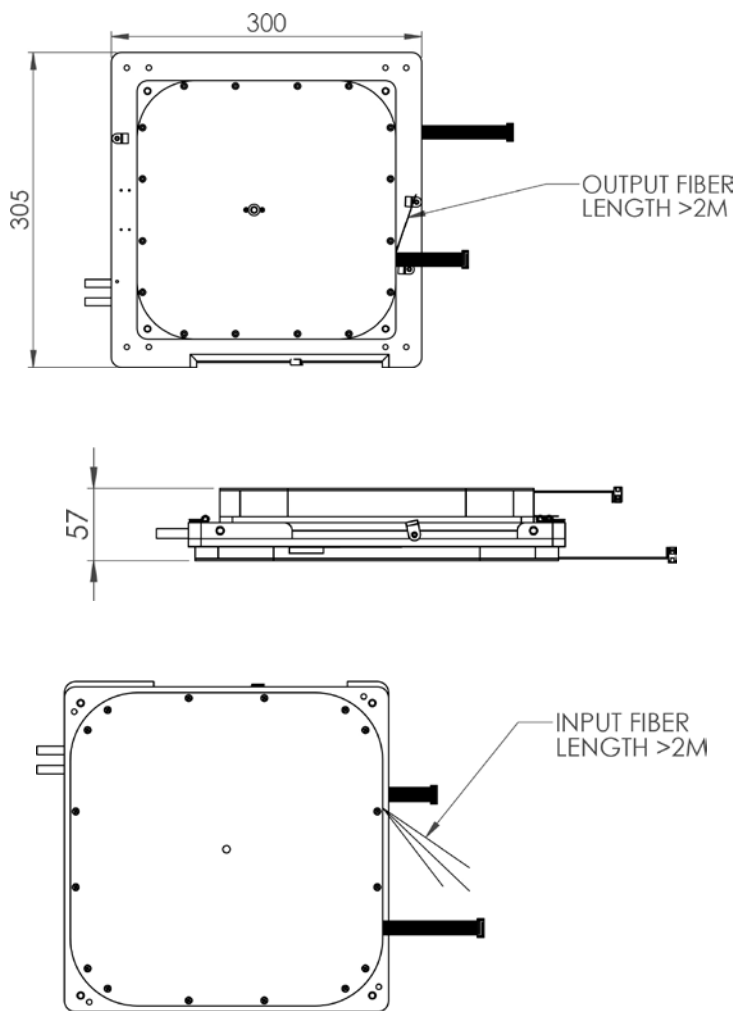
A Furukawa Company

www.ofsoptics.com

Specifications

Raman Fiber Laser Module

In-band power	Up to 100W @ 1480 nm
Output fiber type	Single-mode
Output fiber clad diameter	125 μm
Output fiber buffer diameter	250 μm
Output fiber coating	High Index
Output fiber length	≥2 m
Output monitor photodiode	Included
Cooling	Water cooled cold plate (included)
Customer supplied	Diode modules and power supply



For additional information please contact your sales representative.
 You can also visit our website at www.ofsoptics.com or call 1-888-fiberhelp (1-888-342-3743) USA or 1-770-798-5555 outside the USA.



Copyright © 2018 OFS Fitel, LLC.
 All rights reserved, printed in USA.

OFS Marketing Communications
 Date: 01/18



OFS reserves the right to make changes to the prices and product(s) described in this document at any time without notice. This document is for informational purposes only and is not intended to modify or supplement any OFS warranties or specifications relating to any of its products or services.