



A Furukawa Company

Packaged & Ruggedized PLC Splitter Housings

A Unique Combination of Robust Performance and Flexibility for FTTx Applications



Ruggedized Splitter within Splice Tray (colors vary)

Features and Benefits

- The Ruggedized PLC Splitter maximizes closure tray utilization
 - More splitters per tray
 - Fibers are color coated per standard color scheme
- Modular approach provides cost effective incremental growth
 - Improves and simplifies fiber routing
- Solution-based engineering support to meet all FTTx networking requirements
 - Offer unique designs and configurations
 - Customer specific application engineering
- The Packaged PLC Splitter provides a splitter that fits into the splice tray mass fusion organizer and can be used in either closures or cabinets. The single fiber end is a connectorized 900 μ m fiber and the ribbon ends are transitioned to 900 μ m fiber.
- Universal solution
 - Simplified stocking/ replacement inventory

Product Description

The Ruggedized PLC Splitter offerings by OFS provide a truly flexible solution that addresses the needs of today's FTTx networks. Combining the optical splitter expertise of Furukawa Electric Company with the connectivity and packaging capabilities of OFS, the three options of packaged, ruggedized and direct connect splitters offer superior optical performance in a flexible, yet easy-to-manage package. The use of these splitters allows for rapid installation into traditional cabinets and closure splice trays.

The additional outer housing of the ruggedized and direct connect splitters improves on the environmental stability of the traditional splitters for Outside Plant (OSP) applications. The packaged version of the splitter fits into a mass fusion organizer and provides a low cost option for splitting signals. The "upjacketed" fiber legs provide extra protection for the bare fiber. Because of the increased mechanical stability and the bend insensitive fiber, the rugged fiber legs allow for quick routing between splice trays with minimal optical performance impact. There is no need to prepare the splitter leg with special tubing. The installer can simply route these rugged ends within the cabinet or closure and secure them.



A Furukawa Company

Packaged & Ruggedized PLC Splitter Housings

Product Description Continued

The OFS splitters are full spectrum (1260 - 1650 nm) components available in multiple configurations to meet customer requirements (see table on next page). These splitters also utilize Flame Hydrolysis Deposition (FHD) technology, ensuring better thermal stability. Designed to meet the demanding requirements of both inside and OSP applications, the splitter module meets Telcordia GR-1221-CORE and GR-1209-CORE requirements.

Splitter Module Specifications				
Specification	1 x 4 849001920	1 x 8 300422474	1 x 16 300464674	1 x 32 849000203
Operating Wave Length	1260 – 1650 nm			
Max Insertion Loss (dB) ¹ (max)	7.5	10.4	13.8	16.8
Insertion Loss Uniformity (dB)	0.8	1.0	1.3	1.6
Polarization Dependent Loss (dB) (max)	≤ 0.3			
Return Loss (dB) (min) ²	> 50			
Directivity (dB) (min) ²	> 50			
Operating temperature	Min. -40 °C Max. 75 °C			
Storage temperature	Min. -40 °C Max. 85 °C			

¹ Includes Polarization Dependent Loss, Wavelength Dependent Loss, and Temperature Dependent Loss

² Without Connectors

Ordering Information

Packaged

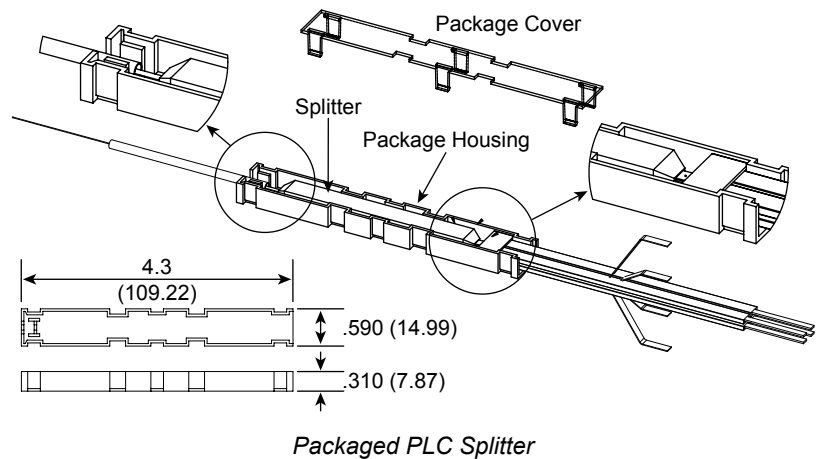
P1-1X16-FULL-SCA/SCA-N-BAL-B-29

P1-1X32-FULL-SCA/SCA-N-BAL-B-29

Ruggedized

R1-1X16-FULL-SCA/SCA-N-BAL-B-29

R1-1X32-FULL-SCA/SCA-N-BAL-B-29



For additional information please contact your sales representative.

You can also visit our website at www.ofsoptics.com or call 1-888-fiberhelp (1-888-342-3743) USA or 1-770-798-5555 outside the USA.



Copyright © 2017 OFS Fitel, LLC.
All rights reserved, printed in USA.

OFS Marketing Communications
DOC: fap-256 Date: 07/17



OFS reserves the right to make changes to the prices and product(s) described in this document at any time without notice. This document is for informational purposes only and is not intended to modify or supplement any OFS warranties or specifications relating to any of its products or services.