



A Furukawa Company

SlimBox® 2-Fiber Indoor/Outdoor Enclosure



External View



Internal View



Bottom View

Features and Benefits

- Protection level up to IP65
- Splicing and adapter connections inside the module
- Can be wall mounted or pole mounted

Product Description

The SlimBox 2-Fiber Indoor/Outdoor Enclosure is an excellent choice as an external demarcation closure, featuring dual functionality as either a splice or connector housing.

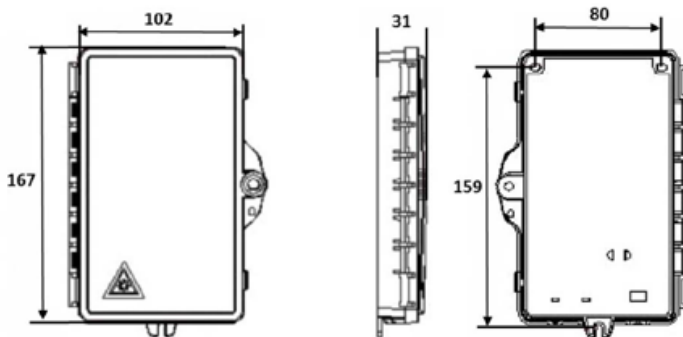
Designing to resemble other typical wall outlets in a home, it is compact and inconspicuous enough to satisfy the most discriminating homeowner, while protecting the valuable network splice sleeves and/or connectors inside. The SlimBox 2-Fiber Indoor/Outdoor Enclosure can be used for a wide variety of applications including Fiber-to-the-Home (FTTH) and Fiber-to-the-Business (FTTB) applications.



A Furukawa Company

SlimBox® 2-Fiber Indoor/Outdoor Enclosure

Product Characteristics	
Connector Ports	Up to 4 SC
Dimensions (H x W x D)	167 mm x 102 mm x 31 mm 6.6" x 4.0" x 1.2"
Installation	Wall mount
Splicing Capability	Yes, splice tray for 4 splices
Material	Plastic (PC+ABS)
Operating Temperature	-40 °F to 140 °F



Ordering Information		
Comcode	Product Code	Description
301139630 (no adapters)	SLIMBOX-H,OUTDOOR SVI-2-FIBER-INSIDEADP	SlimBox indoor/outdoor wall mount unit for 2 internal SC adapters
301139648	WSE1S-002-SS21-GRY-SCAUNC-F	SlimBox indoor/outdoor wall mount unit with 2 internal SCA adapters
301139655	WSE1W-002-SS21-GRY-SCAUNC-F-PT	SlimBox indoor/outdoor wall mount unit with 2 internal SCA adapters and 2 SM pigtails
301139663	WSE1S-002-SS21-GRY-SCUUNC-F	SlimBox indoor/outdoor wall mount unit with 2 internal SCU adapters
301139671	WSE1W-002-SS21-GRY-SCUUNC-F-PT	SlimBox indoor/outdoor wall mount unit with 2 internal SCU adapters and 2 SM pigtails

For additional information please contact your sales representative.

You can also visit our website at www.ofsoptics.com or call 1-888-fiberhelp (1-888-342-3743) USA or 1-770-798-5555 outside the USA.



Copyright © 2018 OFS Fitel, LLC.
All rights reserved, printed in USA.

OFS Marketing Communications
Doc ID: fap-311 Date: 07/18

SlimBox is a registered trademark of OFS Fitel, LLC.



OFS reserves the right to make changes to the prices and product(s) described in this document at any time without notice. This document is for informational purposes only and is not intended to modify or supplement any OFS warranties or specifications relating to any of its products or services.