

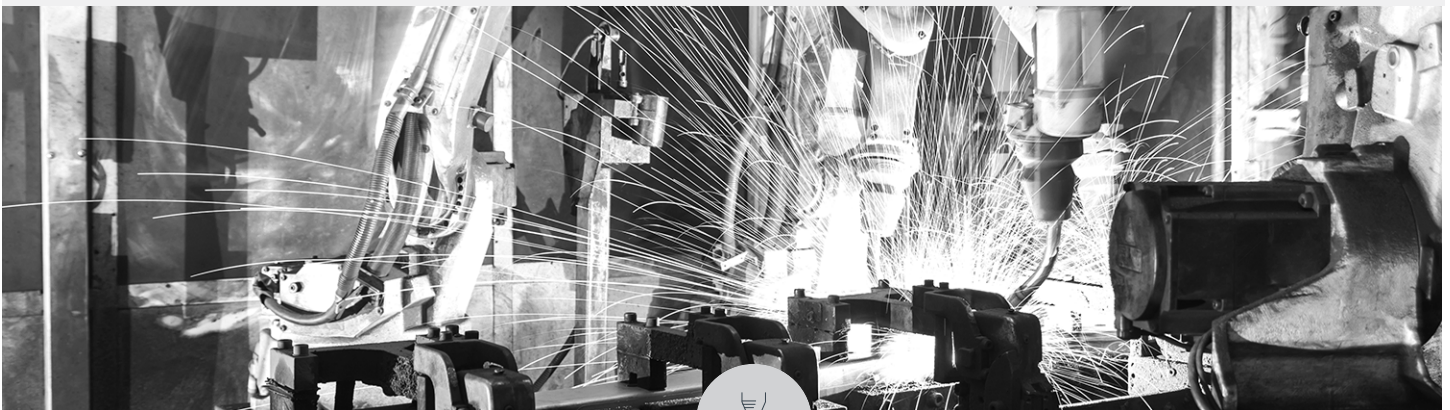
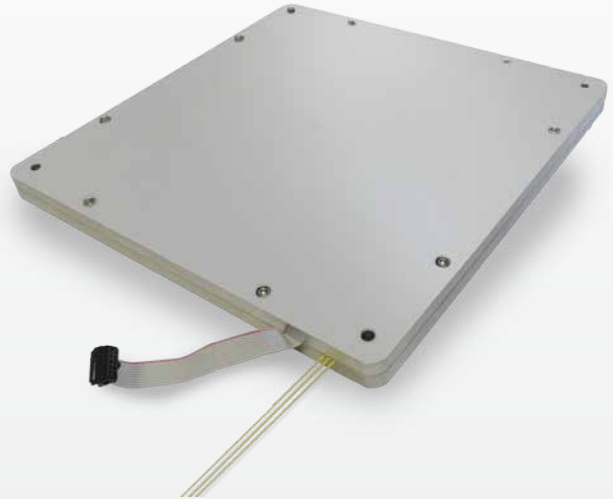
## Fiber Laser Building Blocks

# VLMA ER AMPLIFIER

### Applications:

Free space communications, LIDAR, Micro-machining and Femtosecond chirped pulse amplification

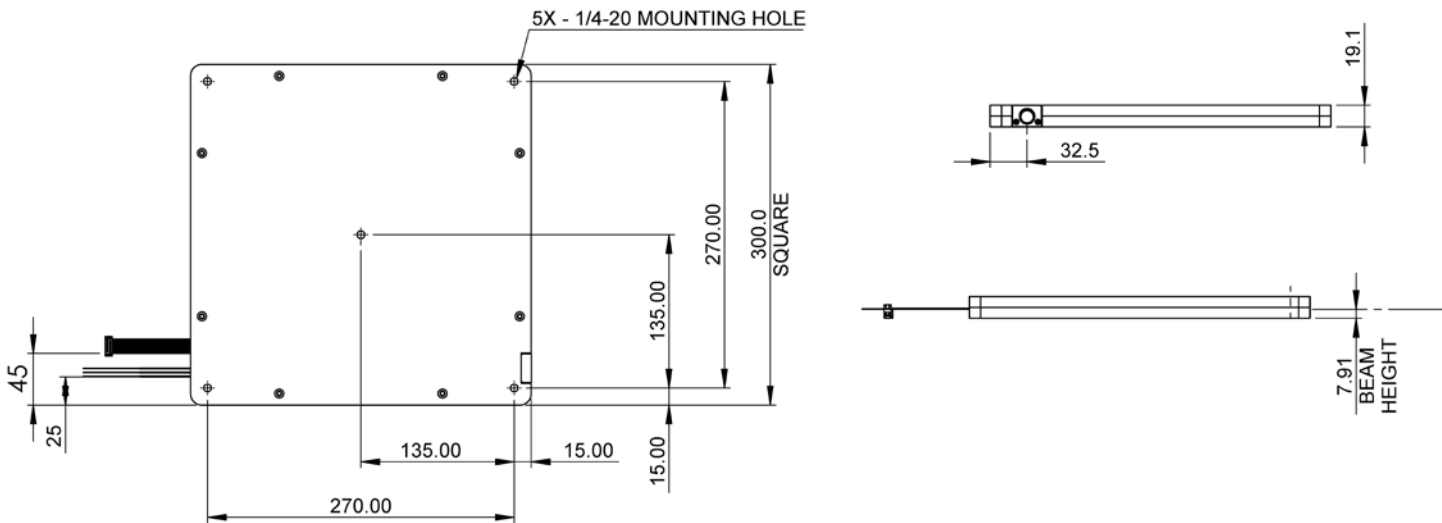
- All-fiber design
- 50  $\mu\text{m}$  core diameter
- Diffraction limited output
- PM and non-PM versions available
- >100W output power
- 1 ns pulses amplified to 100  $\mu\text{J}$ , 100kW peak power



A Furukawa Company

[www.ofsoptics.com](http://www.ofsoptics.com)

Specifications		PM and non-PM VLMA Er Amplifier
<b>Fiber Parameters</b>		
Core diameter		50 $\mu\text{m}$
$A_{\text{eff}}$		$\sim 1100 \mu\text{m}^2$
Er abs		$\sim 50 \text{ dB/m}$
Seed laser input pigtail		PM-SMF (PM version) or SMF (non-PM version), length 2 m; 125 mm OD; 250 mm OD buffer; Dual-coat acrylate
Pump laser input pigtail		SMF; length 2 m; 125 mm OD; 250 mm OD buffer; Dual-coat acrylate
<b>Amplifier Performance</b>		
Polarization extinction ratio		$> 15 \text{ dB}$ at max. power (PM version only)
Operating wavelength		1545 to 1575 nm
Output average power		$> 20 \text{ W}$ using 50 W, 1480 nm Raman fiber laser pump $> 40 \text{ W}$ using 100 W, 1480 nm Raman fiber laser pump
Peak power		up to 100 kW in a 1 ns pulse
Beam quality: $M^2$		Typical: $< 1.2$ $< 1.3$ at maximum power
Output beam		Free space, diverging beam
Pump laser required		1480 nm Raman fiber laser
Cooling		Air or water cooled cold plate
Operating temperature		Room temperature



For additional information please contact your sales representative.  
 You can also visit our website at [www.ofsoptics.com](http://www.ofsoptics.com) or call 1-888-fiberhelp (1-888-342-3743) USA or 1-770-798-5555 outside the USA.



Copyright © 2018 OFS Fitel, LLC.  
 All rights reserved, printed in USA.

OFS Marketing Communications  
 Date: 01/18



OFS reserves the right to make changes to the prices and product(s) described in this document at any time without notice. This document is for informational purposes only and is not intended to modify or supplement any OFS warranties or specifications relating to any of its products or services.