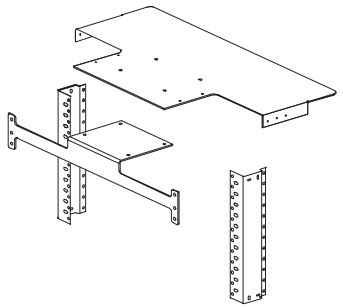



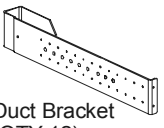


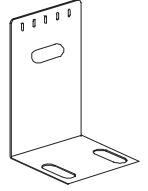








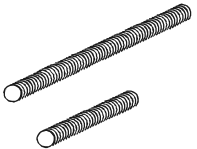
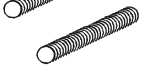
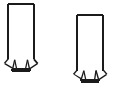
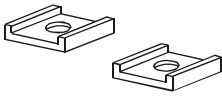
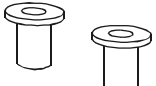
**PARTS FOR 24-INCH (610 mm) DEEP FIBER DISTRIBUTION FRAME**

	<p>Top Cover (Qty 1) Auxiliary Bracket (Qty 2) Top Cover Bracket (Qty 1)</p>	 12-24 x 3/8 Screws (Qty 8)   6-32 x 1/4 Screws (Qty 8) (Self Tapping)
---	--	---

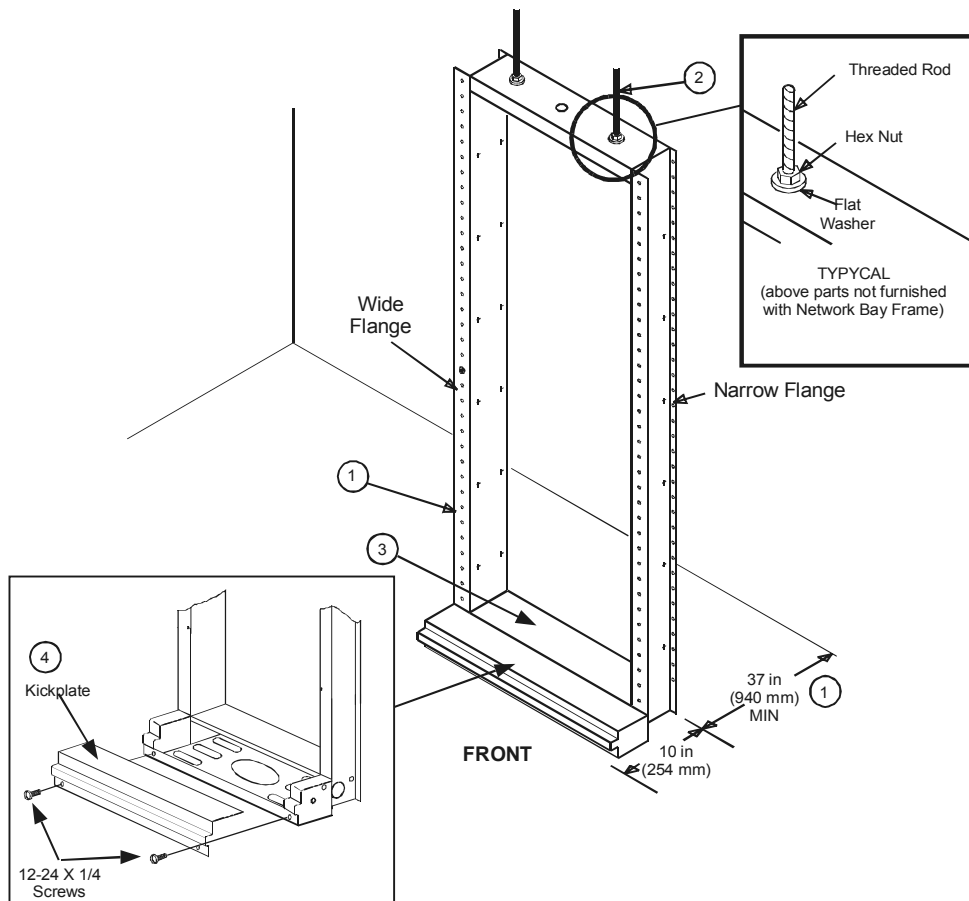
 Spacer (QTY 3)	 12-24 Nut (Qty 3)	 12-24 x 3/4 Screws (Qty 3)
--	--	---

 Duct Bracket (QTY 12)	 6-32 x 5/16 Screws (Qty 24)	 12-24 x 1/4 Screws (Qty 24)
--	--	---

 Floor Mounting Bracket (Qty 2)	 1/2 Flat Washer (Qty 8)   1/2-13 Hex Nut (16)	 1/4-INCH WASHERS (QTY 8)   1/4-20 HEX NUTS (QTY 4)   1/4-20 X 7/8 SCREWS (QTY 4)
--	--	---

 1/2 External Tooth Lock Washer (Qty 4)  <p>Drop-in anchor tool (not shown) (Qty 1)</p>	 1/2-13x 7 Threaded Rod (Qty 4)   1/2-13x 3-1/2 Threaded Rod (Qty 4)	 1/2 Drop-in Anchors (Qty 4)   Clip Hangers (Qty 4)   Insulating Bushings (plastic) (Qty 4)
--	--	---

## STEP1 - INSTALL NETWORK BAY FRAME OR SEISMIC NETWORK BAY FRAME

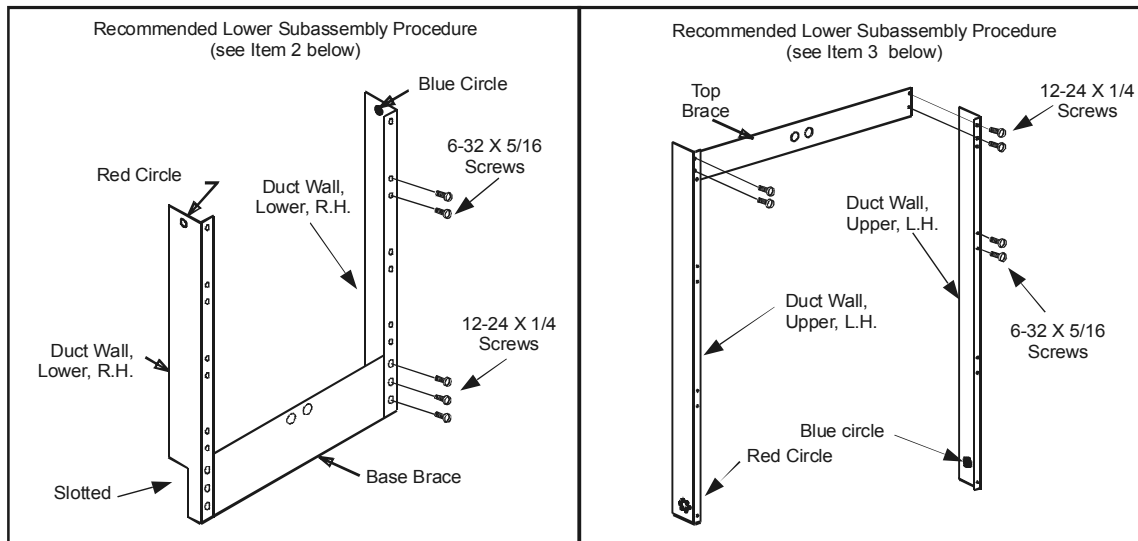


**Note:** Rear 2-inch guardrail should not be installed on network bay frames or seismic frames for LGX applications.

1. Position frame with wide flanges (front of frame) toward maintenance aisle. If rear of frame will be close to wall, mount components on rear of frame before securing frame to floor. A minimum of 37 inches (940 mm) of clearance from wall or lineup is recommended at rear of frame.
2. Secure frame to overhead framing with locally obtained hardware in accordance with local practices.
3. Secure frame to floor using procedures in Instruction Sheets 636-299-104-01 or -06 that came with the frame. **Also, see Step 5 for procedures on how to mount Rear Floor "L shape" mounting bracket.**
4. Install kickplate using 12-24 by 1/4 screws.

**CAUTION:** Installation of the following parts assumes that the frame has been securely mounted to the floor or overhead rack. Failure to do so could result in bodily injury or equipment damage.

## STEP 2 – REMOVING AND INSTALLING REAR CABLING DUCTS



**Note:** For ease of assembly, it is recommended that split-blade/retainer-type screwdriver (obtained locally) be used for starting screws throughout LGX installation.

1. Install six duct brackets to each side of frame using 12-24 by 1/4 screws (see next page). Do not tighten screws until after completing following steps.
2. Loosely attach lower duct wall (slotted) sections to base brace, with 12-24 by 1/4 screws, forming a subassembly as shown above. Secure lower subassembly to duct wall brackets with 6-32 by 5/16 screws (see figure next page).
3. Loosely attach shorter upper duct walls to top brace with 12-24 by 1/4 screws. Secure upper subassembly to upper duct wall brackets with 6-32 by 5/16 screws (see figure next page).

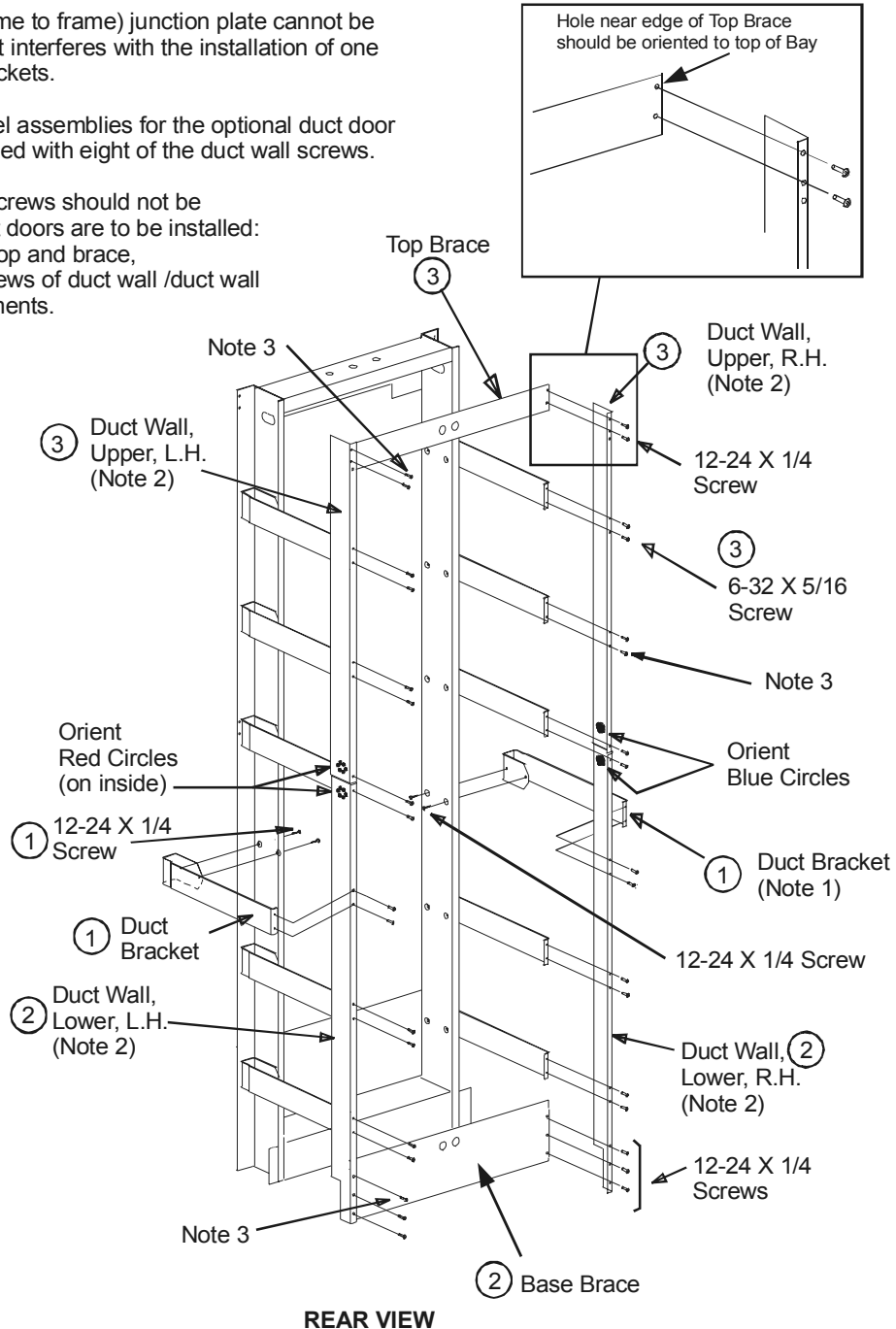
**Note:** Colored circles on each duct wall section are used for orienting pieces (see illustration above). Red circles on the left, blue circles on the right.

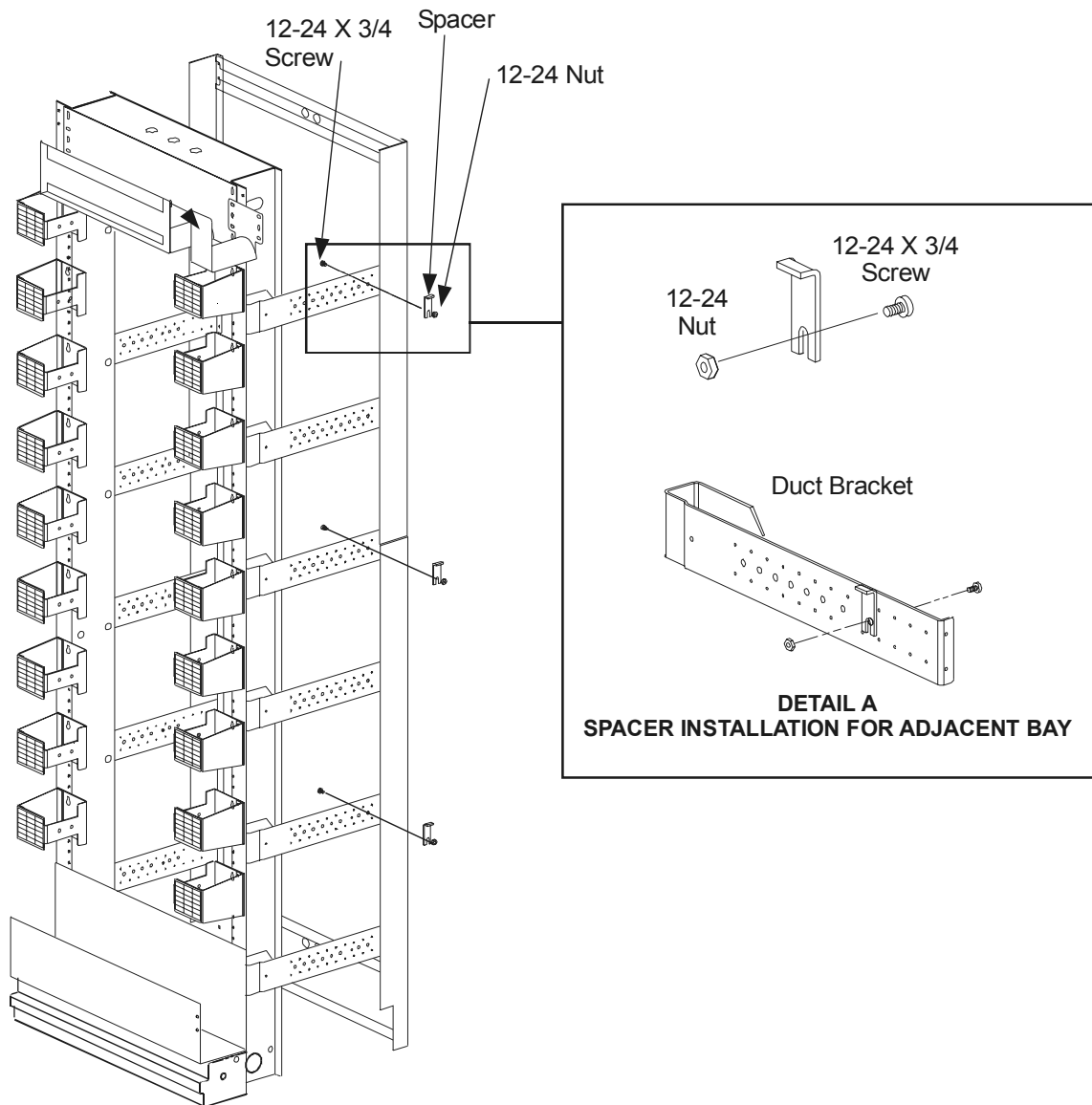
4. Tighten screws for base and top brace. Each of two channel assemblies, for optional duct doors, are attached with eight of the duct wall screws.

## STEP 2 – INSTALL CABLING DUCTS (CONT'D)

### NOTES:

1. The center (frame to frame) junction plate cannot be installed since it interferes with the installation of one of the Duct Brackets.
2. The two channel assemblies for the optional duct door are each attached with eight of the duct wall screws.
3. The following screws should not be installed if duct doors are to be installed:  
 Top screws of top and brace,  
 and bottom screws of duct wall /duct wall  
 bracket attachments.

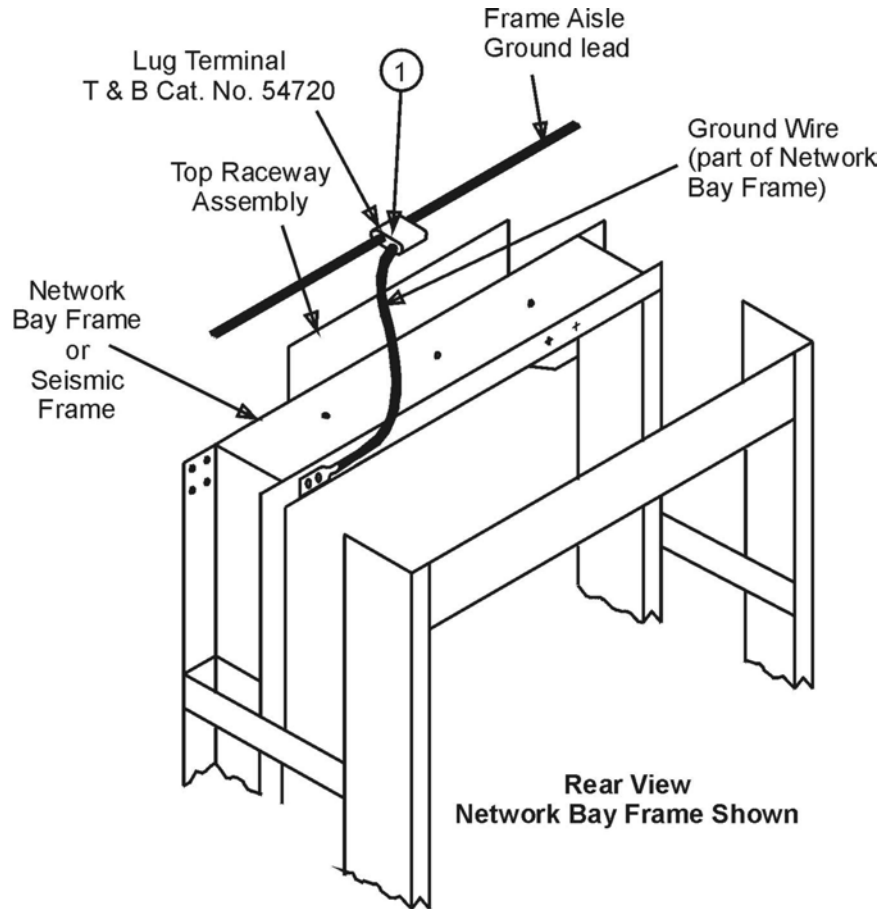


**STEP 3 – INSTALL SPACERS**

Secure spacers in last hole (when available - towards rear of frame) of duct wall brackets with 12-24 by 3/4 screws and 12-24 nuts (see Detail A). Spacers are only used when adjacent bays are to be installed.

## STEP 4 – INSTALL FRAME GROUND WIRE

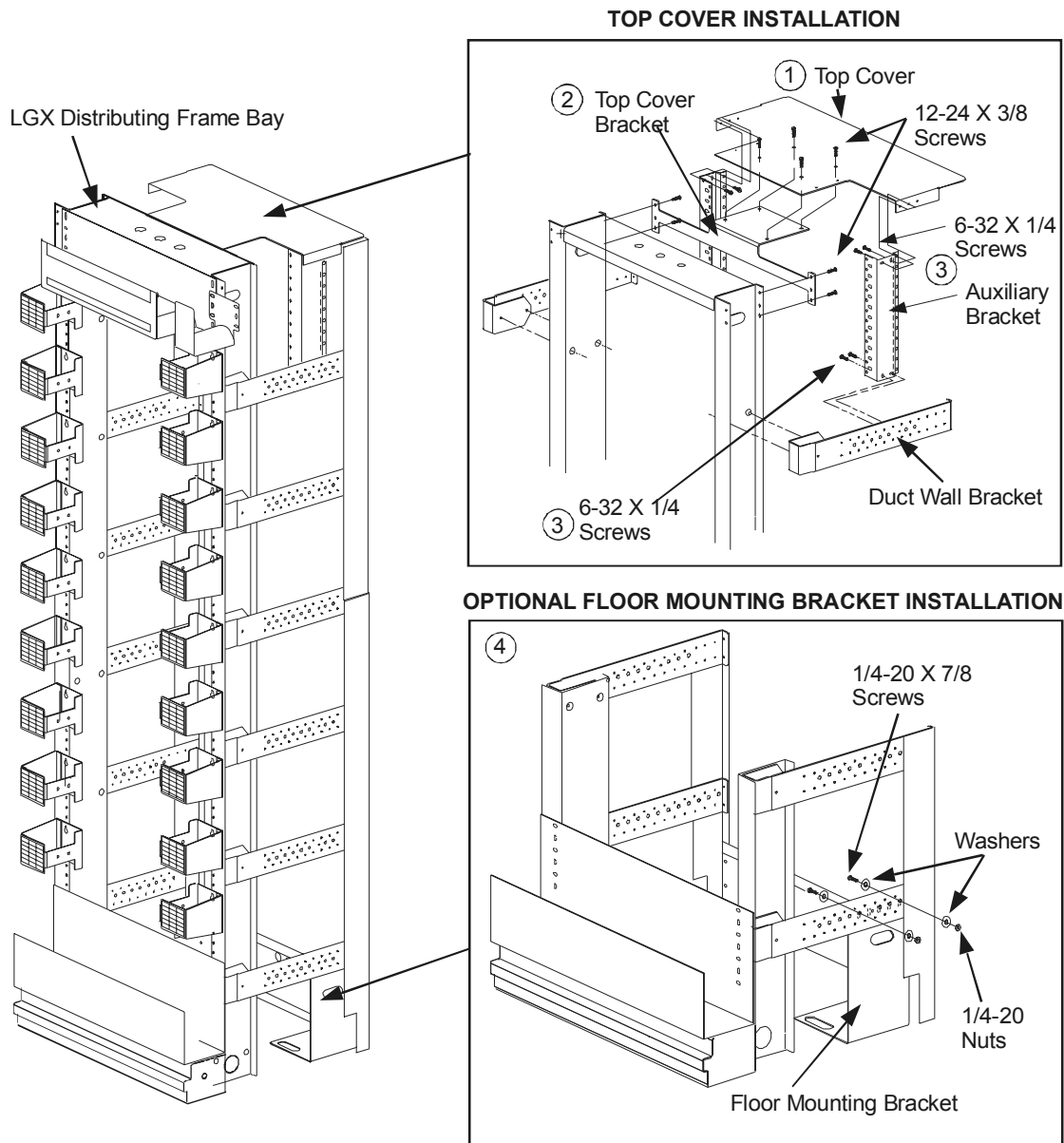
---



Connect network bay frame or seismic frame ground wire assembly to frame aisle ground lead per local practice.

**Note:** Where outside plant cable ground lugs are attached to frame, surface paint must be removed.

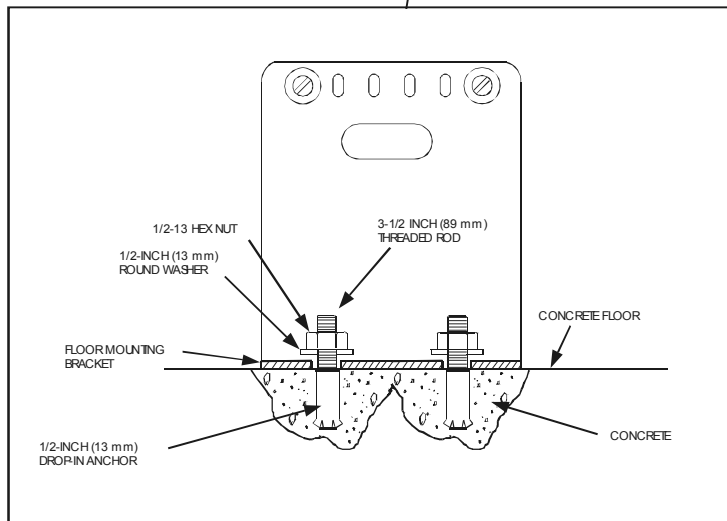
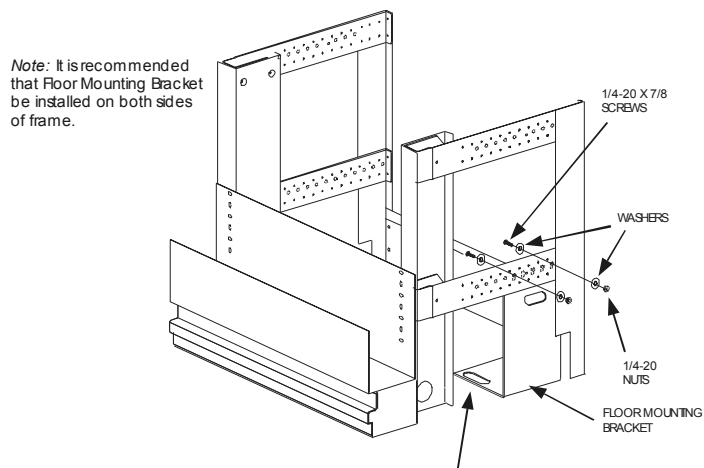
## STEP 5 - INSTALL TOP COVER AND FLOOR MOUNTING BRACKETS (TOP COVER SHOULD BE INSTALLED AFTER CABLING IS COMPLETED)



1. Mount T-shaped top cover to top cover bracket with (4) 12-24 by 3/8 screws.
2. Mount top cover bracket to back/top of frame (as shown above) using (4) 12-24 by 3/8 screws.
3. To support the back of the top cover, install auxiliary brackets. Secure top of brackets to rear of top cover with 6-32 by 1/4 self-tapping screws. Secure bottom of auxiliary brackets to duct wall brackets with 6-32 by 1/4 self-tapping screws.
4. Secure Bracket to duct wall bracket (on either or both sides of frame) with 1/4-20 by 7/8 screws, nuts and washers. If mounting bracket to floor see Step 5A Concrete Floor, Step 5B Raised Floor.

## STEP 5A – Install Floor Mounting Bracket to (Concrete Floor)

---

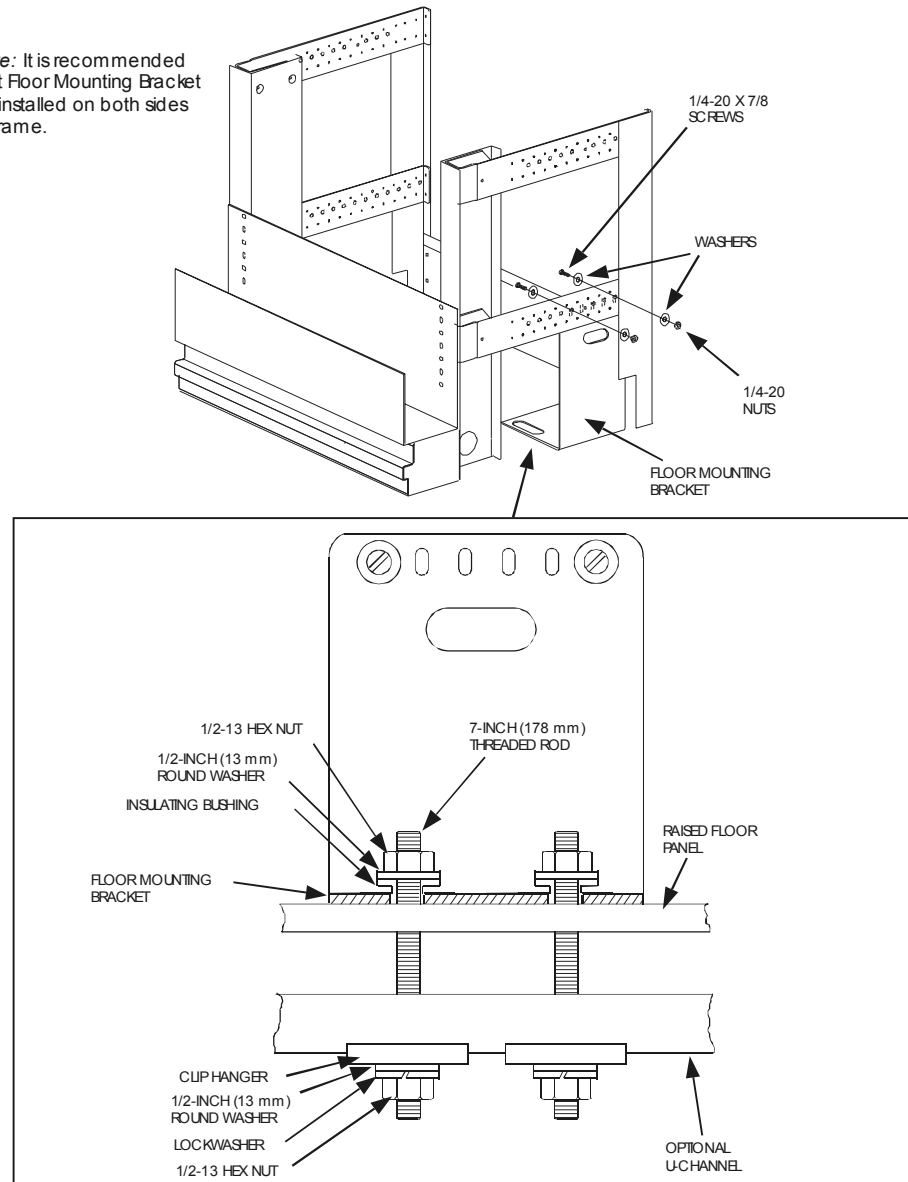


- 1) Drill two holes in concrete for 1/2-inch (13mm) Drop-In Anchors (one on each side).
- 2) Position Drop-in Anchors in holes. Insert Setting Tool and Strike with hammer until Anchor is fully set. Top of anchor should be flush to, or slightly under, the concrete surface.
- 3) Secure bracket to duct wall bracket (on either or both sides of frame) with 1/4-20 by 7/8 screws, nuts and washers.
- 4) Thread one 3-1/2 inch (89mm) Thread Rod through frame opening into each Drop-In Anchor.
- 5) Position 1/2-inch (13mm) Round Washer over Threaded Rod on each side of bracket.
- 6) Place a 1/2-13 Hex Nut on each Thread Rod and tighten to secure frame to the concrete floor.



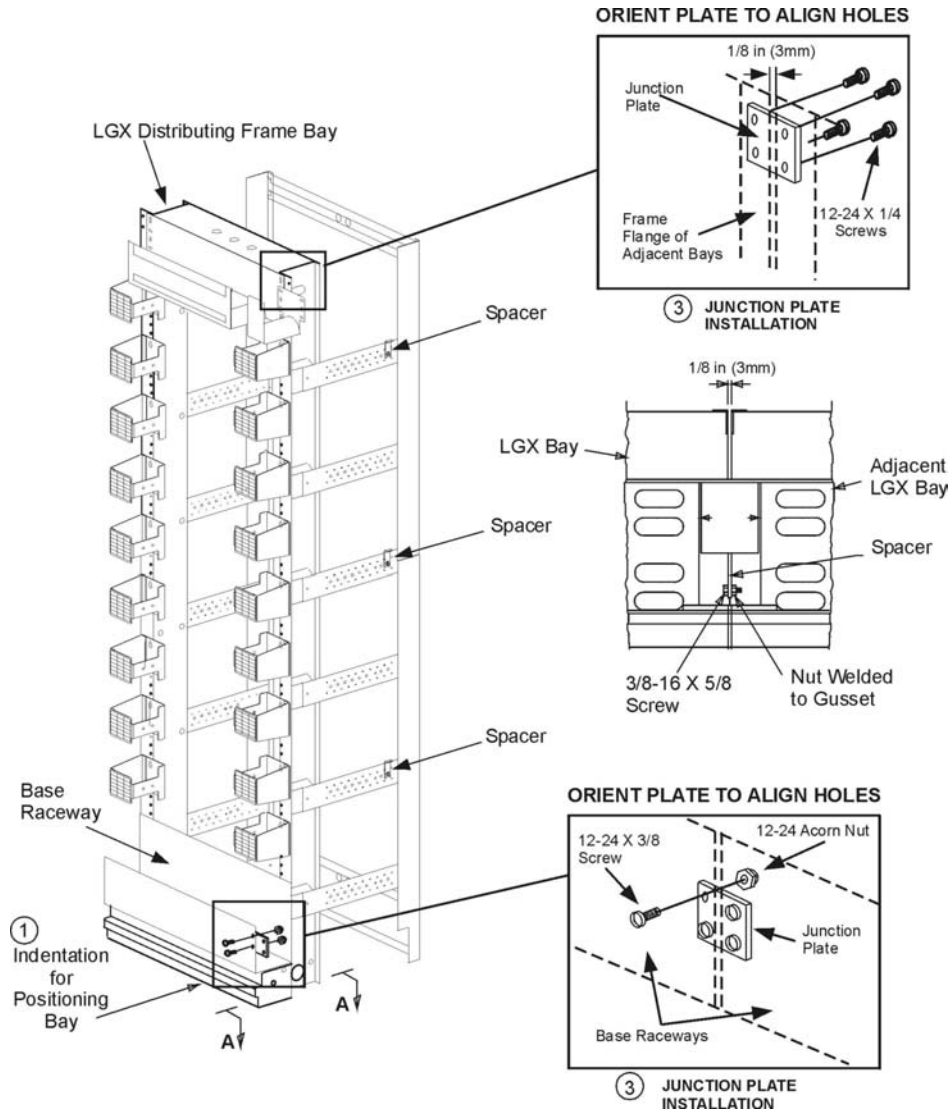
## STEP 5B – Install Floor Mounting Bracket to (Raised Floor)

Note: It is recommended that Floor Mounting Bracket be installed on both sides of frame.



- 1) Drill holes in raised floor panel
- 2) Secure Bracket to duct wall bracket (on either or both sides of frame) with 1/4-20 by 7/8 screws, nuts and washers.
- 3) Place a 7 inch (178mm) Threaded Rod through frame opening, hole in floor panel and trough optional U-channel for each side of frame. Reference illustration above for details.
- 3) Position Insulating Bushing, ½-inch (13mm) Round Washer and ½-13 Hex Nut on Top of Thread Rod on each side of bracket.
- 4) Position Clip Hanger, ½-inch (13mm) Round Washer, Lockwasher and Hex Nut on bottom of Threaded Rod (below floor panel). See Detail A above.
- 5) Tighten ½-13 Hex Nut to Secure frame to the raised floor.

## STEP 6 – SECURE ADJACENT LGX FDF BAYS



1. Align indentation (located in front of frame) of adjacent frame with floor plan.
2. Anchor adjacent frames to floor per local practice.
3. Install junction plates at top and bottom of adjacent frames to pull frames into alignment. At top with 12-24 by 1/4 screws and at bottom with 12-24 by 3/8 screws and 12-24 acorn nuts.