



Compact OEM 3W Raman Cavities P/N 7008002



Features and Benefits

- Wavelength flexibility from 1 to 1.8 μm
- 3 and 10W versions available
- Compact OEM module for rapid integration
- Single-mode fiber output

Overview

Development of the new 3 and 10 W Raman Fiber Laser Module was driven by increasing demand for reliable single mode light sources over a broad wavelength range for a wide variety of Telecom, Medical, industrial and scientific applications.

The Raman Fiber Laser Module builds upon OFS capabilities in kilowatt fiber laser production for the industrial machining and welding market. OFS, a global market leader in the design and manufacture of rare-earth doped fibers, possess the expertise and experience in fiber fabrication necessary to meet that demand. OFS has been developing and manufacturing high-power components and modules for many years and understands the reliability standards expected in the diverse material processing applications.

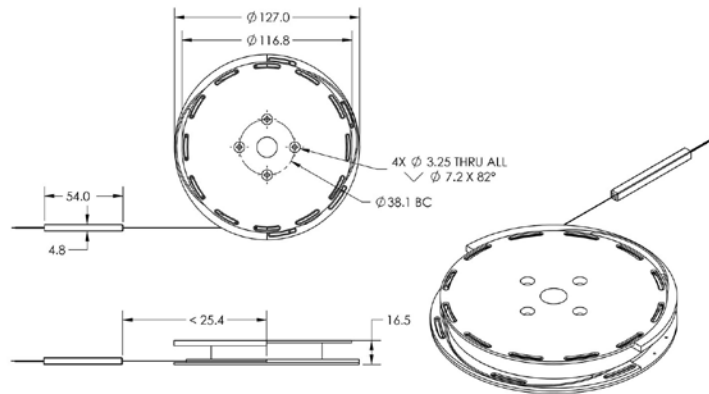
Typical Applications

High Brightness Fiber Laser Pumping
Frequency Conversion
Telecom - Distributed Amplification
Test and Measurement
EDFA and Raman Amplifier Pumping
Medical Applications



Compact OEM 3W Raman Cavities

| Product Specifications | | 7008002-XXXX-XX |
|--|---|-----------------|
| Performance | | |
| Operating Wavelength | 1 - 1.8 μm | |
| Output Power (CW) | 3W | |
| Inband % Power at Operating Wavelength (Typical > 92%) | Wavelength Dependent | |
| Beam Quality | Single-mode Output Beam | |
| Optical Fibers | | |
| Pump Fiber Legs | | |
| Number of Pump Fiber Legs | 7 | |
| Fiber Type | 0.15 NA / 105 μm core / 125 μm cladding (Dual coat, high index acrylate coating) | |
| Fiber Length (m) | ≥ 1 | |
| Output Fiber | | |
| Fiber Type | SMF-28e | |
| Fiber Length (m) | ≥ 1 | |
| Optional AR-coated, high power, FC/APC end termination pigtail available | | |
| Pump Diode Requirements | | |
| Fiber Type | | |
| Cladding Diameter | 105/125 μm | |
| Numerical Aperture Pigtail Fiber | 0.15 | |
| Parameters | | |
| Center Wavelength | 915 nm | |
| Mechanical | | |
| Spool Diameter | 5 inch | |
| Spool Height | 0.65 inch | |



For additional information please contact your sales representative.

You can also visit our website at www.ofsoptics.com
or call 1-888-fiberhelp (1-888-342-3743) USA or 1-770-798-5555 outside the USA.



Copyright © 2023 OFS Fitel, LLC.
All rights reserved, printed in USA.

OFS Marketing Communications
Date: 04/23

TrueClad and TrueXMF are trademark of OFS Fitel, LLC.

OFS reserves the right to make changes to the prices and product(s) described in this document at any time without notice. This document is for informational purposes only and is not intended to modify or supplement any OFS warranties or specifications relating to any of its products or services.

For a full list of our certifications, visit our website.

