



Compact Raman Fiber Laser Module



Features and Benefits

- Wavelengths available from 1 to 1.8 μm
- 3 and 10W modules available
- Single-mode fiber output

Overview

Development of the new 3 and 10 W Raman Fiber Laser Module was driven by increasing demand for reliable single mode light sources over a broad wavelength range for a wide variety of Telecom, Medical, industrial and scientific applications.

The Raman Fiber Laser Module builds upon OFS capabilities in kilowatt fiber laser production for the industrial machining and welding market. OFS, a global market leader in the design and manufacture of rare-earth doped fibers, possess the expertise and experience in fiber fabrication necessary to meet that demand. OFS has been developing and manufacturing high-power components and modules for many years and understands the reliability standards expected in the diverse material processing applications.

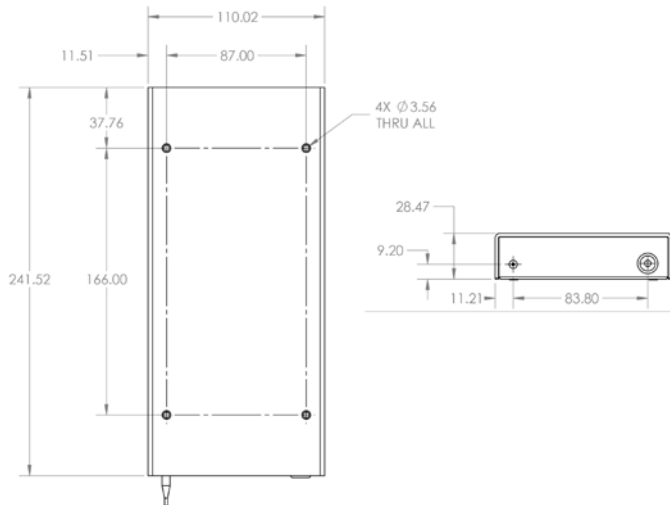
Typical Applications

High Brightness Fiber Laser Pumping
Frequency Conversion
Telecom - Distributed Amplification
Test and Measurement
EDFA and Raman Amplifier Pumping
Medical Applications



Compact Raman Fiber Laser Module

Product Specifications		7008000-XXXX-XX
Performance		
Operating Wavelength	1 - 1.8 μm	
Output Power (CW)	3 and 10W	
Beam Quality	Single-mode Output Beam	
Optical Fibers		
Pump Fiber Legs		
Number of Pump Fiber Legs	7	
Fiber Type	0.15 NA / 105 μm core / 125 μm cladding (Dual coat, high index acrylate coating)	
Fiber Length (m)	>10m	
Output Fiber		
Fiber Type	SMF-28e	
Fiber Length (m)	>1 m	
Pump Diode Requirements		
Fiber Type		
Cladding Diameter	105/125 μm	
Numerical Aperture Pigtail Fiber	0.15	
Center Wavelength	915 nm	
Mechanical		
Approximate Dimensions	270x110x30	



For additional information please contact your sales representative.

You can also visit our website at www.ofsoptics.com
or call 1-888-fiberhelp (1-888-342-3743) USA or 1-770-798-5555 outside the USA.



Copyright © 2023 OFS Fitel, LLC.
All rights reserved, printed in USA.

OFS Marketing Communications
Date: 04/23

**For a full list of
our certifications,
visit our website.**



InvisiLight is a registered trademark of OFS Fitel, LLC.
OFS reserves the right to make changes to the prices and product(s) described in this document at any time without notice. This document is for informational purposes only and is not intended to modify or supplement any OFS warranties or specifications relating to any of its products or services.